



Executive Series

3037/3037e



User's Guide

Macintosh[®]

For the latest info, go to <http://my.okidata.com>

59353301

OKI[®]

Every effort has been made to ensure that the information in this document is complete, accurate, and up-to-date. The manufacturer assumes no responsibility for the results of errors beyond its control. The manufacturer also cannot guarantee that changes in software and equipment made by other manufacturers and referred to in this Guide will not affect the applicability of the information in it. Mention of software products manufactured by other companies does not necessarily constitute endorsement by the manufacturer.

While all reasonable efforts have been made to make this document as accurate and helpful as possible, we make no warranty of any kind, expressed or implied, as to the accuracy or completeness of the information contained herein.

Copyright © 2003. All rights reserved.



As an ENERGY STAR® Program Participant, the manufacturer has determined that this product meets the ENERGY STAR guidelines for energy efficiency.

This product complies with the requirements of the Council Directives 89/336/EEC (EMC) and 73/23/EEC (LVD) as amended where applicable on the approximation of the laws of the member states relating to electromagnetic compatibility and low voltage.

Oki and Microline are registered trademarks of Oki Electric Industry Company Ltd.

ENERGY STAR is a registered trademark of the United States Environmental Protection Agency.

Hewlett-Packard, HP, and LaserJet are registered trademarks of Hewlett-Packard Company.

Microsoft, MS-DOS and Windows are registered trademarks of Microsoft Corporation.

Apple, Macintosh and Mac OS are registered trademarks of Apple Computers Inc.

Other product names and brand names are registered trademarks or trademarks of their proprietors.

OKI

Contents

- Notes, Cautions, etc.** **8**
- Introduction** **9**
 - Model summary 9
 - Features 10
 - How to use this manual 12
 - Online usage 12
 - Printing Pages 13
- Getting started.** **14**
 - Unpacking. 14
 - CD-ROM disk contents 15
 - Printer location 16
 - Printer components. 17
- Setting up.** **20**
 - Packaging and protective sheet removal 20
 - Toner cartridge installation. 23
 - Loading paper. 27
 - Manual feed 31
 - Power connection 32
 - Control panel 34
 - Menu settings 37
 - Changing the display language 37
 - Printing the MenuMap. 38
 - Media settings 39
 - Media recommendations 42
 - Paper 42
 - Envelopes. 43
 - Labels. 43
 - Paper feed and exit 44
 - Paper Sizes. 44
 - Paper weights and media settings 45
 - Printer settings 46
 - Confirming current settings 46
 - List of menu settings 47
 - List of administrator menu settings 74
 - Setting color tuning from the front panel 77
 - Switching off 80
 - Interfaces 81
- Mac OS 8.6-9.2.2** **83**
 - Printer Driver 83

Adjusting Printer Driver Options	83
Change PostScript® Printer Description (PPD) File	83
Installable Options: Available Tray	85
Installable Options: Duplex	86
Installable Options: Hard Disk	87
Installable Options: Finisher	88
Installable Options: Memory Configuration	89
Operation	90
Color Print Matching	91
Factors that affect the appearance of prints	91
Choosing a Color Matching Method	94
RGB or CMYK?	94
Matching Photographic Images	95
Matching Specific Colors	96
Printing Vivid Colors	96
Driver Options	97
Color Option	97
Job Option	106
Job Option List	109
Job Type	111
General Printing Directions	120
Multiple Pages on One Sheet	120
Duplex	122
Collating	124
Mac OS 10.1.5	125
Printer Drivers	125
Adjusting options	125
Operation	126
Color Print Matching	127
Factors that affect the appearance of prints	127
Monitor Color Profile Select	128
Color Profile Select	130
Choosing a Color Matching Method	132
RGB or CMYK?	132
Matching Photographic Images	133
Matching Specific Colors	133
Printing Vivid Colors	134
Driver Options	135
OKI Printer Features	135
General Printing Directions	149

Multiple Pages on One Sheet	149
Duplex	150
Collating	151
Mac OS 8.6-9.2.2 Utilities	153
General Information	154
Storage Device Manager	154
Installation Procedures	156
Storage Device Manager Operation	158
Open SDM	158
SDM Options	161
SDM Menu Items	162
Fonts Downloader	168
Color Swatch Utility	169
Open Color Swatch	169
Create a Custom Swatch	170
OkiNet Utility for EtherTalk	172
Rename Printer/Zone	172
Change Parse Type	174
Print Config	174
Check Print Server Status	175
Configure Printer Type	176
Reset/Restore	176
Mac OS 10.1.5 Utility	177
Maintenance	178
Adding Paper	178
Changing the toner cartridge	180
Changing the image drum	186
Changing the transfer belt	190
Changing the fuser unit	192
Cleaning the LED heads	195
Transporting the printer	196
Troubleshooting	198
LCD messages	198
Paper jams	201
Parallel transmission mode	209
Problem solving	210
Paper feed problems	210
Paper jam has been cleared, but printer does not print	210
Problems printing from Macintosh	211
Cannot configure for USB connection	211
Cannot print	212

Printing is slow	212
Printer requests paper size change to continue printing	212
Problems with poor quality printing	213
Longitudinal white stripes	213
Longitudinal fading	213
Faint printing	213
Fading in patches	213
Longitudinal black stripes	214
Faint shading on unprinted sections	214
Blurred letter edges	214
Miscellaneous problems	215
The power is on, but the printer does not go online	215
Print processing does not start	215
Print processing cancels	215
Printer makes a strange noise	215
An asterisk (*) symbol appears on the display, repeatedly moving across the first line then the second	216
It takes a long time to start printing	216
Toner rubs off the printed surface	217
Accessories	218
Introduction	218
Additional memory	219
Installing additional memory	220
Internal hard disk drive	223
Installing the hard disk drive	223
Duplex unit	226
Additional paper trays	229
Installation	229
High capacity feeder (HCF)	233
Installing the high capacity feeder	233
Finisher	237
Specifications	238
Consumables	242
Toner	242
Drums	242
Fuser units	243
Transfer belt	243
OKI® print media	244
Factory Default Settings	246

Print menu	246
Media menu	247
Color menu	248
System Config menu	249
PCL Emulation menu	249
PPR Emulation menu	250
FX Emulation menu	251
Parallel menu	251
USB menu	252
Network menu	252
Memory menu	252
System Adjust menu	253
Maintenance menu	254
Usage menu	254
Index	255

Notes, Cautions, etc.

NOTE

A note appears like this. A note provides additional information to supplement the main text which helps you to use and understand the product.

CAUTION!

A caution appears like this. A caution provides additional information which, if ignored, may result in equipment malfunction or damage.

WARNING!

A warning appears like this. A warning provides additional information which, if ignored, may result in a risk of personal injury.

Important!

An important message appears like this. An important message provides supplemental information which can prevent potential problems.

Introduction

Congratulations on purchasing this OKI Executive Series color printer!

In this chapter you will find a summary of the main features of your printer followed by some advice on how to use this User's Guide to get the most from your printer.

MODEL SUMMARY

Model	Resolution	Print speed	Network card	Duplex Unit	Memory	Hard disk
ES 3037	600 x 1200 dpi	<i>Letter:</i> 30 ppm color 37 ppm mono <i>Tabloid:</i> 16 ppm color 20 ppm mono	Option	Option (Requires additional memory)	128 Mb	Option
ES 3037e	1200 dpi	<i>Letter:</i> 30 ppm color 37 ppm mono <i>Tabloid:</i> 16 ppm color 20 ppm mono	Standard	Standard	320 Mb	Standard

FEATURES

- Single pass digital technology for high quality, speed and reliability.
- Duplex printing for fast reliable two-sided output (standard on ES 3037e, optional on ES 3037).
- High capacity 10Gb hard disk drive (standard on ES 3037e, optional on ES 3037).
- Versatile paper handling:
 - Standard 550-sheet (20-lb. paper) paper tray
 - Standard 100-sheet (20-lb. paper) multi-purpose tray for paper, card stock, envelopes, labels, etc.
 - Optional 550-sheet paper trays: up to two can be added to expand the paper capacity to 1690 sheets.
 - Optional High Capacity Feeder, mounted on casters, with three 550-sheet trays expanding printer capacity by 1650 sheets (approx.).
- Flexible interfaces with automatic switching:
 - USB
 - High-speed, bi-directional parallel (IEEE-1284)
 - Industry standard network connectivity via internal network interface card.
- Environmentally friendly: the advanced power save mode minimizes power consumption and the separate toner and drum design cuts down on waste.

- Automatic color balance adjustment: in order to ensure consistent output at all times, the machine automatically performs a color check when the machine is switched on, when the top cover is opened and then closed, and adjusts the color balance automatically. It can even be set to adjust the color balance during long print runs.
- Auto media detect: detects the weight of the media being fed through the printer then automatically adjusts the fusing temperature, speed (if necessary) and transfer voltage to ensure correct fusing and print quality.

HOW TO USE THIS MANUAL

This manual will lead you logically through the unpacking, setup and operation of your printer to help you to make the best use of its many advanced features.

It also includes:

- troubleshooting information
- maintenance guidelines
- instructions for adding optional accessories as your needs evolve

NOTES

This User's Guide has been written using one printer as a model, and the illustrations/screenshots reflect this.

The information in this manual is supplemented by the extensive online help facility associated with the printer driver software.

Online usage

This manual is intended to be read on screen using Adobe Acrobat Reader. Use the navigation and viewing tools provided in Acrobat.

You can access specific information in two ways:

- In the list of bookmarks down the left hand side of your screen, click the topic of interest to jump to the required topic. (If the bookmarks are not available, use the Table of Contents.)
- In the list of bookmarks click Index to jump to the Index. (If the bookmarks are not available, use the Table of Contents.) Find the term of interest in the alphabetically arranged index and click the associated page number to jump to the page containing the subject.

Printing Pages

The whole book, Individual pages, or sections may be printed. The procedure for printing from Acrobat Reader is:

1. From the toolbar, select **File**, then **Print** (or press the Ctrl + P keys).
2. Choose which pages you wish to print:
 - a. **All pages** for the entire manual.
 - b. **Current page** for the page at which you are looking.
 - c. **Pages from and to** for the range of pages you specify by entering their page numbers.
3. Click **OK**.

Getting started

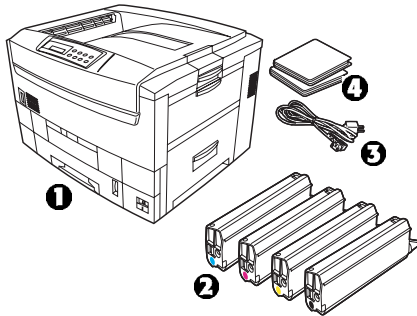
UNPACKING

WARNING!

The printer weighs 160 lbs. (72 kg) without the duplex unit; 172 lbs. (78 kg) with the duplex unit installed (dxn models).

Three (3) people are required to lift the printer safely.

After unpacking the printer and choosing a suitable place to put it, check that all the necessary parts are available to continue:



1. The printer.
2. 4 toner cartridges (cyan, magenta, yellow and black).
3. Power cable
4. CD-ROM disks.
5. LED lens cleaner (not illustrated).
6. Light-proof plastic bags (not illustrated).
7. Documentation (not illustrated): Setup Guide, Software Installation Guide, Warranty booklet.

Retain all packing materials to facilitate transport.

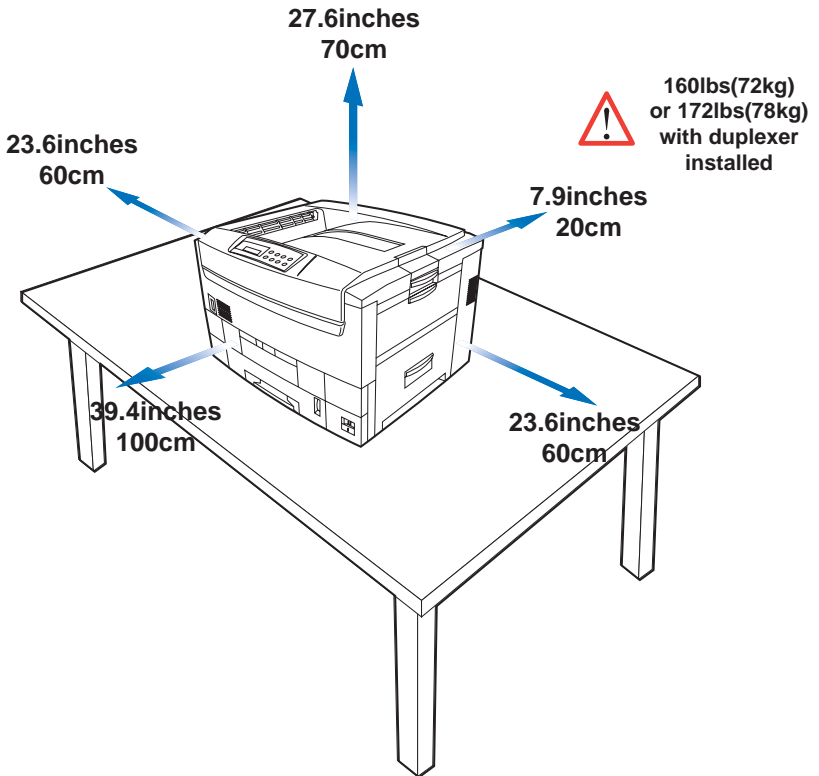
CD-ROM DISK CONTENTS

The CD-ROM disks supplied with your printer contain the following software:

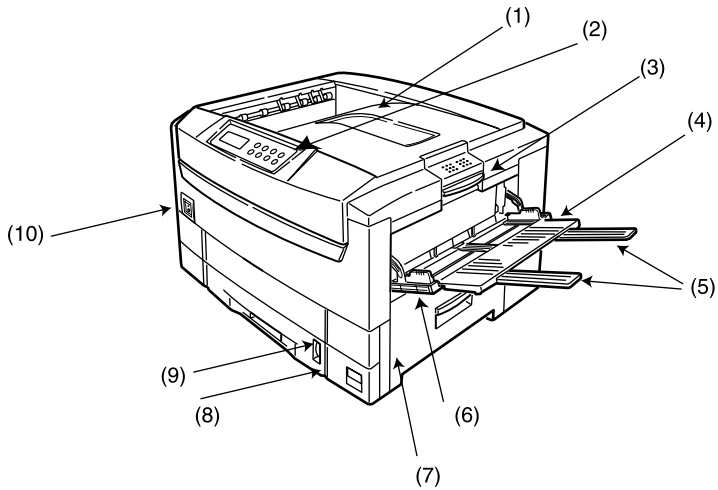
- CD1 - Drivers, Software Utilities
- CD2 - Manuals

PRINTER LOCATION

Place the printer on a flat surface large enough and strong enough to accept the size and weight of the printer. There must be sufficient space around the printer to allow for access and printer maintenance.

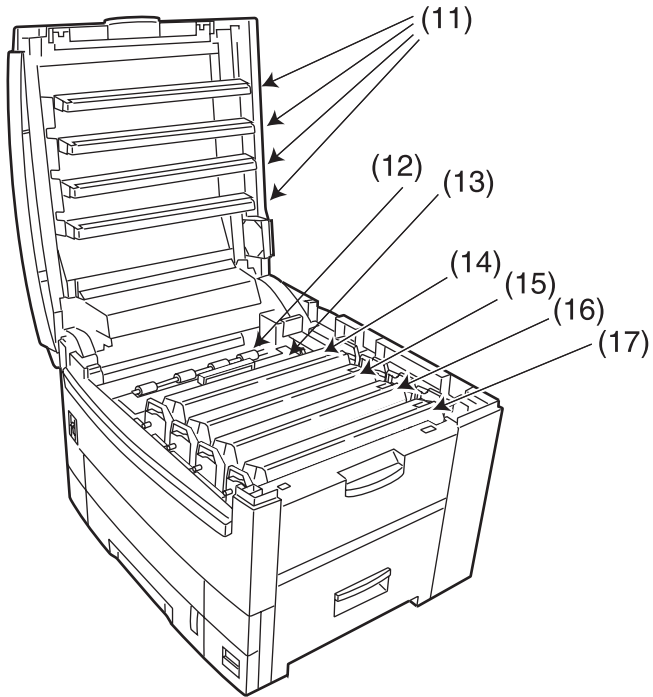


PRINTER COMPONENTS



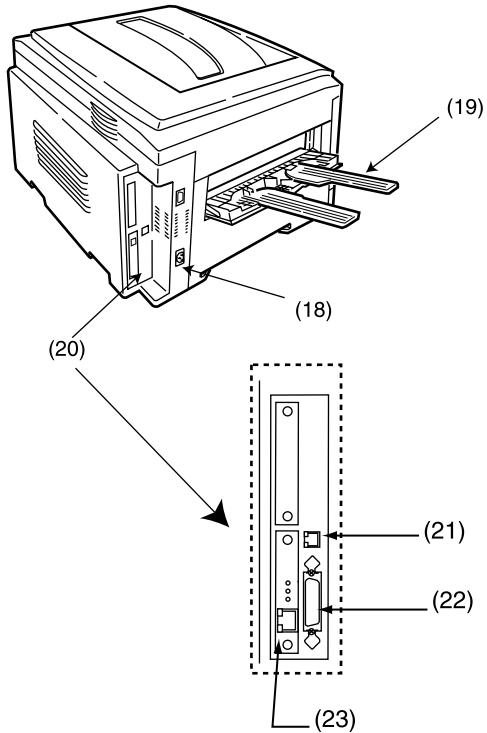
1. Top cover
2. Control panel
3. Top cover release catch
4. Multi-purpose (MP) tray (manual feed)
5. Paper support extension
Paper guides
6. Right side cover
7. Paper tray
8. Paper level indicator
9. Power switch
10. LED heads (4)

PRINTER COMPONENTS (CONTINUED)



- 11. Discharge roller
- 12. Fuser unit
- 13. Image drum (cyan)
- 14. Image drum (magenta)
- 15. Image drum (yellow)
- 16. Image drum (black)
- 17. Power connector

PRINTER COMPONENTS (CONTINUED)



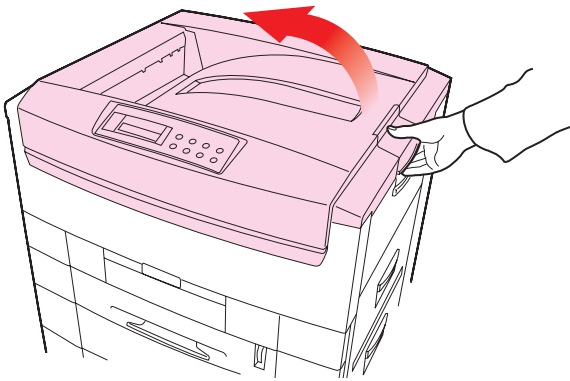
- 18. Straight-through exit paper tray
- 19. Interfaces and card slot
- 20. USB interface connector
- 21. Parallel interface connector
- 22. Network interface card

Setting up

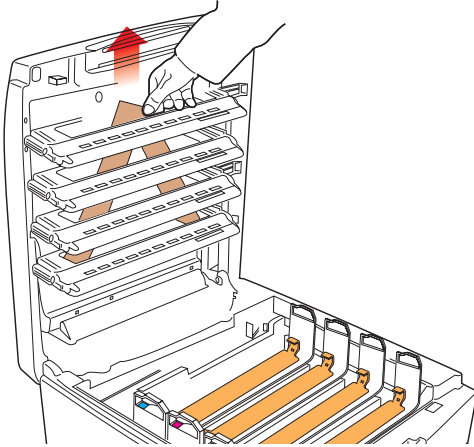
Before connecting this printer to a computer and power supply, the toner cartridges must be installed and paper must be inserted in the paper tray.

PACKAGING AND PROTECTIVE SHEET REMOVAL

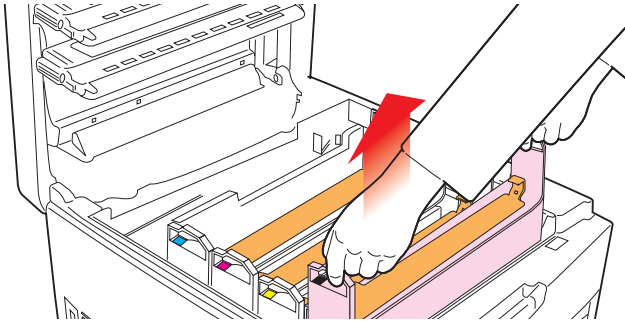
1. Remove any adhesive tape and packaging from the printer.
2. Using the release handle, open the top cover.



3. Remove the LED head restrainer from behind the LED heads in the top cover.



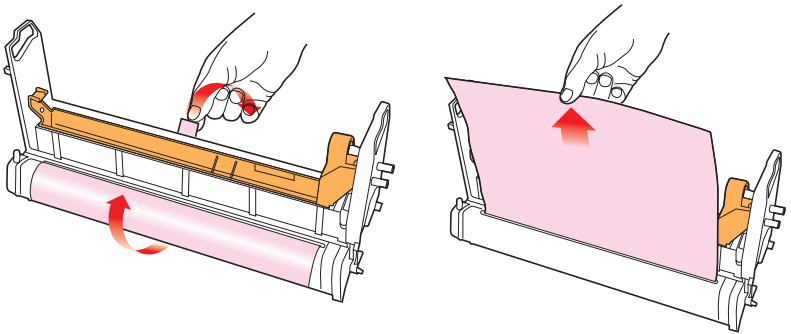
4. Remove the black image drum and place it on a level surface.



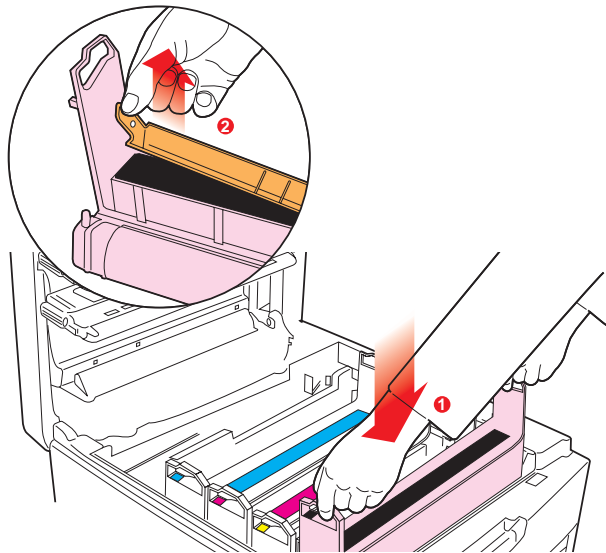
CAUTION!

- Never expose image drums to light for more than 5 minutes.
- Always hold image drum by the ends.
- Never expose image drums to direct sunlight.
- Never touch the green surface of the drum.

5. Remove the protective sheet.



6. Put the black image drum back into the printer (1), then push the tab (2) inwards and remove the blanking plate from the drum.



7. Repeat steps 4 through 6 for each color drum

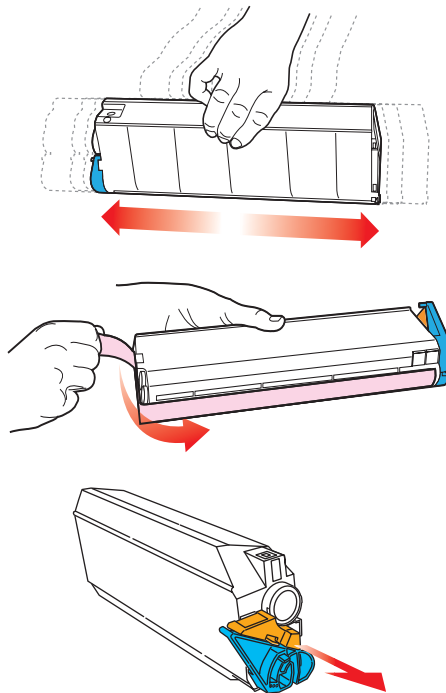
TONER CARTRIDGE INSTALLATION

WARNING!

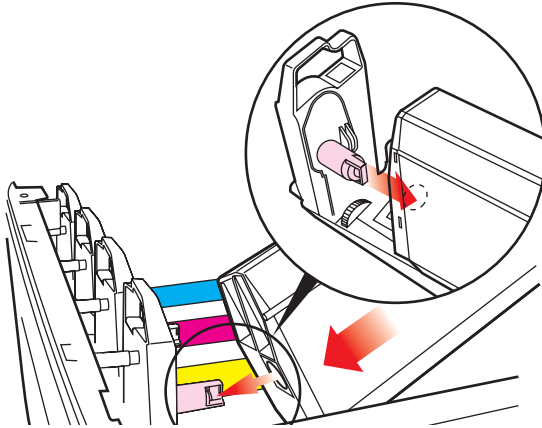
Take extreme care when handling toner.

- *Toner can be harmful if inhaled, swallowed or if it gets in the eyes.*
- *Toner can also stain hands and clothing.*

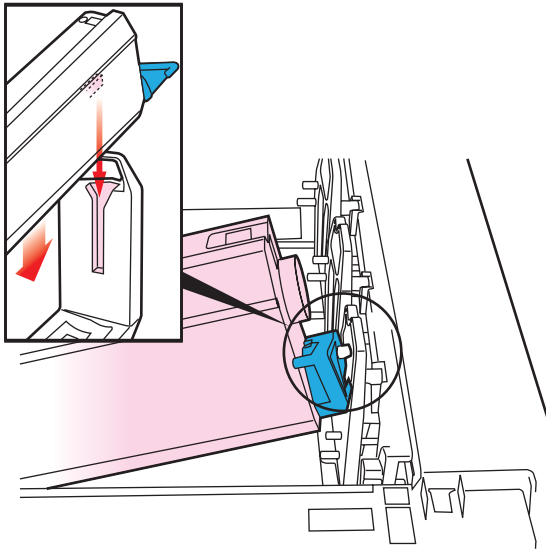
1. For each color toner cartridge:
 - a. Remove the cartridge from its package.
 - b. Shake the toner cartridge back and forth several times, then holding it horizontally, remove the tape, and then remove the plastic clip from behind the colored lever.



- c. Insert the toner cartridge in its image drum, left side first, engaging the drum locating peg in the hole in the toner cartridge.



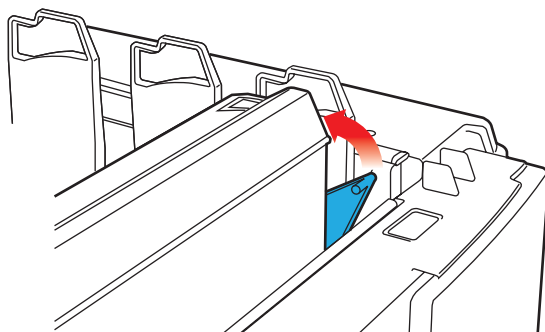
- d. *Gently* push the toner cartridge down, engaging the locking pin into the groove on the image drum.



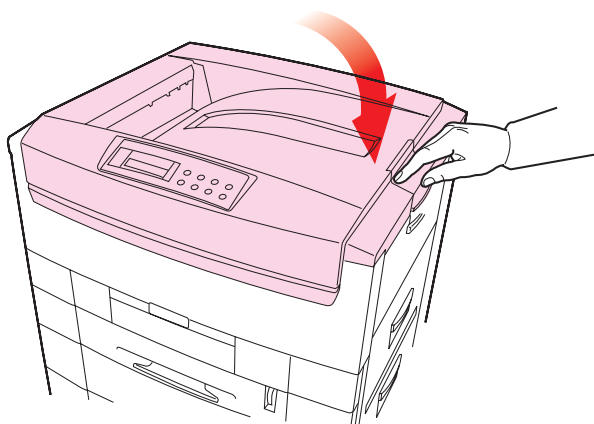
- e. *Gently* push the colored lever toward the rear of the machine until it stops. This releases the toner into the image drum.

CAUTION!

The lever should go back easily. If you meet any resistance, stop and push down on the cartridge to be sure that it is firmly in place before attempting to push the lever back.

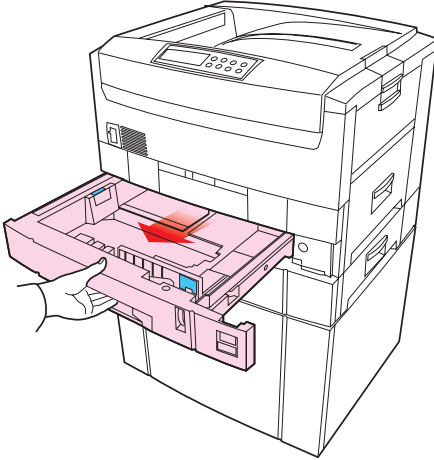


2. Close the top cover.

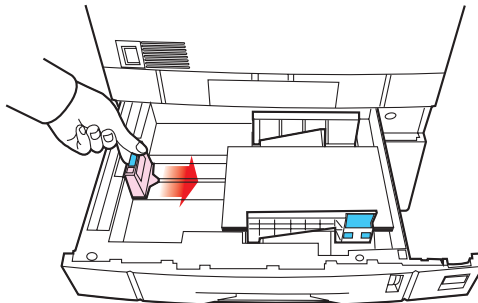
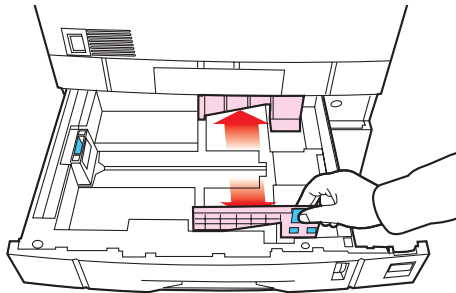


LOADING PAPER

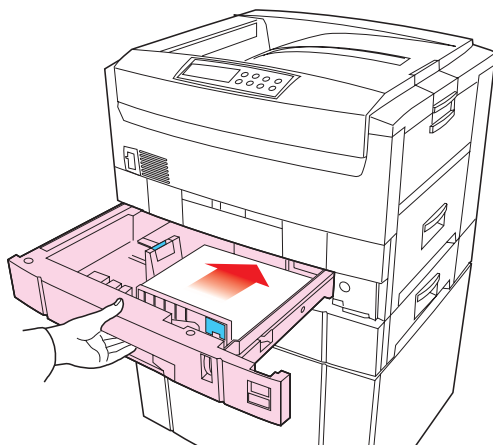
1. Pull out the paper tray.



2. Adjust the paper guides and rear stopper for the size of paper being used.



3. Close the paper tray *gently* .



Important!

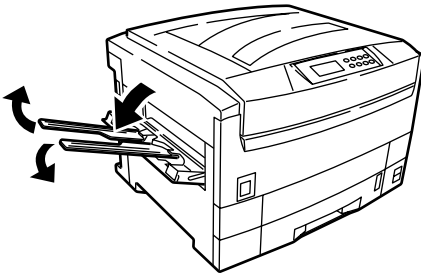
To prevent paper jams:

- Don't leave space between the paper and the paper guides and rear stopper.
- Don't overfill the paper tray. Capacity depends on the type of paper and the paper weight (max. 550 sheets of 20-lb. US Bond—75 g/m²—paper).
- Don't load damaged paper.
- Don't load paper of different sizes, paper quality or thickness at the same time.
- Don't remove the paper tray during printing.

NOTE

If installed, a lower paper tray cannot be used to print if there is no paper tray inserted above it.

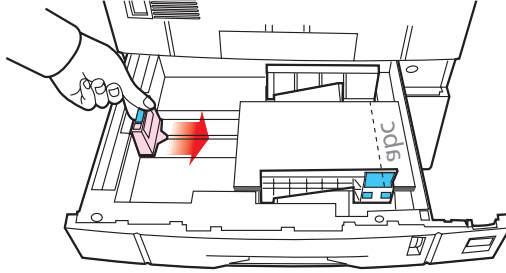
4. For face *down* printing (to the top of the printer), make sure the rear paper exit is *closed*:
 - Paper is stacked in printed order
 - Paper tray capacity is about 500 sheets, depending on paper weight.
5. For face *up* printing (straight-through path), make sure the straight-through paper exit is *open* and the paper support is extended:
 - Paper is stacked in reverse order.
 - Tray capacity is about 100 sheets, depending on paper weight.



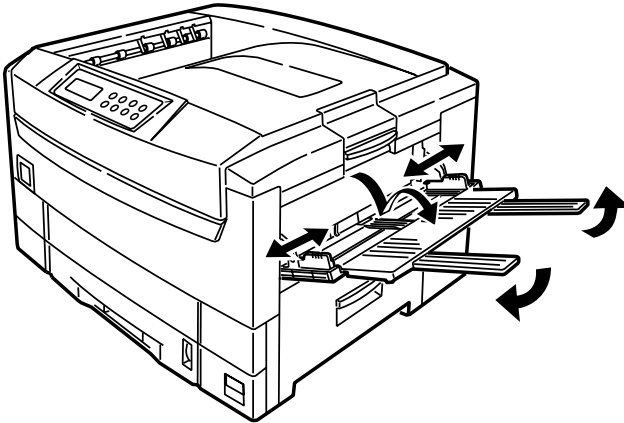
CAUTION!

- Don't open or close the straight-through exit path while printing, as it may result in a paper jam.
- Always use the straight-through exit path for thick paper (card stock etc.)

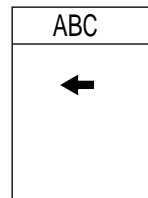
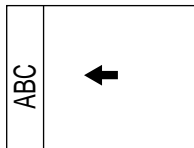
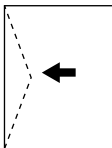
6. Load letterhead paper face down:



MANUAL FEED



1. Open the Multi-purpose tray and extend the paper feed guides.
2. Load the paper and adjust the paper guides to the size of the paper being used.
 - Load the paper into the Multi-purpose tray with the print face upward.
 - Don't exceed the Paper Full line (about 100 sheets depending on paper weight).
 - Load envelopes or letterhead stationery as shown



CAUTION!

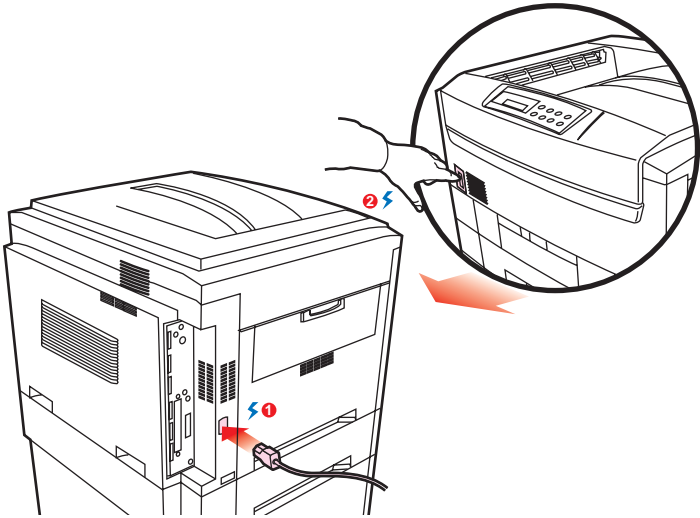
Don't open or close the rear paper exit while printing, as it may result in a paper jam.

POWER CONNECTION

WARNING

Ensure both the printer power switch and the AC supply are switched OFF before connecting the power cable.

1. Connect the power cable (1) to the power socket on the printer, then to a grounded power supply outlet.



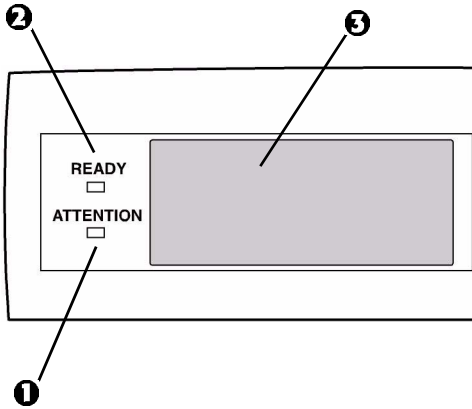
2. Switch the printer ON using the main power switch (2).

The printer will go through its initialization and warm up sequence. When the printer is ready, the READY indicator comes on and stays on (green) and the LCD indicates ONLINE.

NOTE

After installing the new toner cartridges, the message TONER LOW or CHANGE TONER may appear on the display. If this message does not disappear after a few pages have been printed, reinstall the appropriate toner cartridge.

CONTROL PANEL



1. Attention indicator (red).

ON indicates that attention is required, but *printing will continue*.
FLASHING indicates that attention is required, but *printing will stop*.

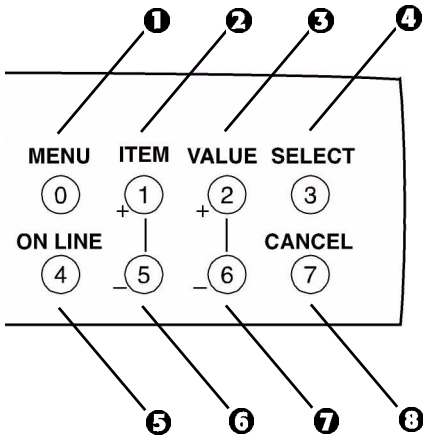
2. Ready indicator (green).

ON - ready to receive data. FLASHING indicates processing data or error.

3. Liquid crystal display.

(LCD) panel. Two rows of up to 24 alphanumeric characters displaying print status, menu items in menu mode and error messages.

CONTROL PANEL (CONTINUED)



1. Menu button.

Press briefly to enter the MENU mode. Press briefly again to select the next menu. Press for more than 2 seconds to scroll through the different menus.

2. Item(+) button.

Press briefly to scroll forward to the next menu item.

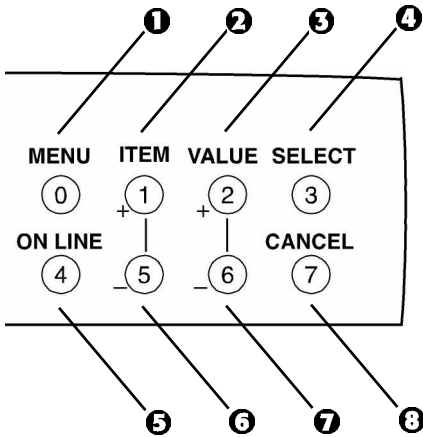
3. Value (+) button.

Press briefly to scroll forward to the next value setting for each menu item.

4. Select button.

Press briefly to select the menu, item or value indicated on the LCD.

CONTROL PANEL (CONTINUED)



5. Online button.

Switches between online and offline status

- When pressed in Menu mode, it returns the printer to on line status.
- When pressed with **DATA PRESENT** displayed, it forces the printer to print out the remaining data in the printer.
- When there is an error message indicating wrong paper size, pressing the ONLINE button forces the printer to print.

6. Item (-) button.

Press briefly to scroll backward to the previous menu item.

7. Value (-) button.

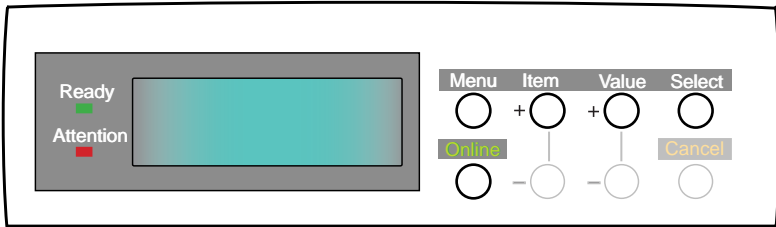
Press briefly to scroll backward to the previous value setting for each menu item.

8. Cancel button.

Press to cancel a print job.

MENU SETTINGS

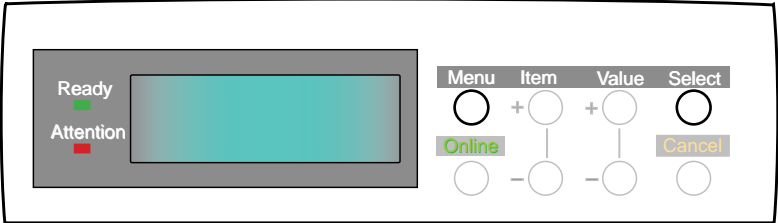
Changing the display language



1. Press the ONLINE button to return the printer to offline status.
2. Press the MENU button repeatedly until **SYSTEM CONFIG MENU** is displayed.
3. Then press the SELECT button.
4. Press the ITEM button repeatedly until **LANGUAGE** is displayed.
5. Press the VALUE button repeatedly until the required language is displayed.
6. Press the SELECT button.
An asterisk () appears next to the selected language.*
7. Press the ONLINE button.

Printing the MenuMap

Print a list of menu settings to confirm that the printer is correctly configured.



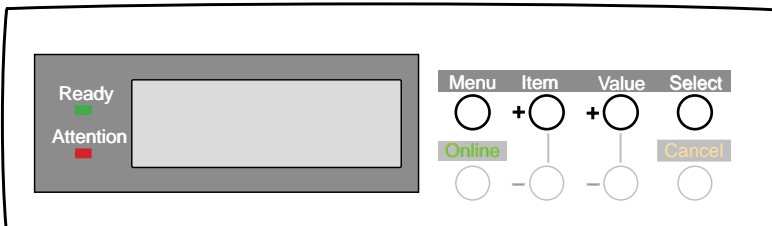
1. Make sure there is paper in the paper tray.
2. Press the MENU button until the **INFORMATION MENU** is displayed, then press the SELECT button.
3. Confirm that **PRINT MENU MAP** is displayed on the LCD.
4. Press the SELECT button to print the menu map.

Media settings

NOTE

- If the settings in the printer differ from those selected on your computer, the printer will not print and the LCD will display an error message.
- The following printer settings are given as a guide only. Some software applications require the paper feed, size and media settings to be selected from within the application (page setup).

Selecting paper feed

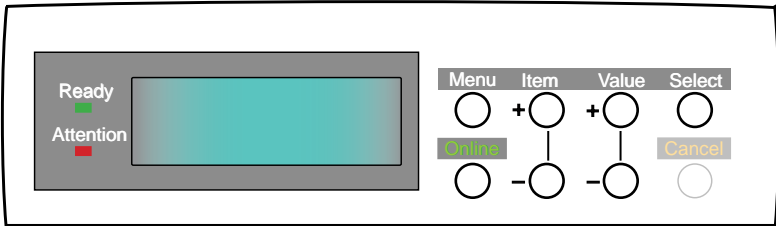


1. Press the ONLINE button to place the printer offline.
2. Press the MENU button repeatedly until PRINT MENU is displayed, then press the SELECT button.
3. Press the ITEM button until PAPER FEED is displayed.
4. Press the VALUE button until the required paper feed is displayed, then press the **SELECT** button. An asterisk (*) appears next to the selected paper feed.

NOTE

When **AUTO TRAYSWITCH** is set to **ON** and more than one paper tray is installed, paper feed automatically switches to the next available paper tray if a tray runs out of paper.

Selecting the paper size



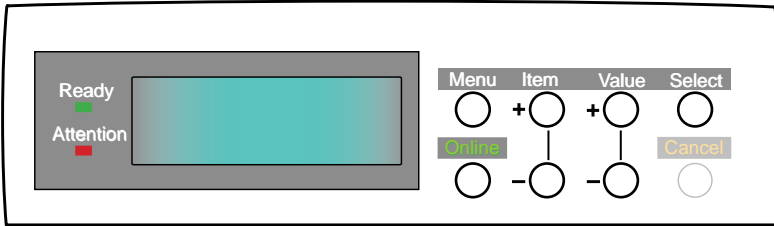
NOTE

- When using paper trays, standard paper sizes are recognized automatically with **CASSETTE SIZE** (default setting) selected. Paper size need only be set for **A3 Wide, A3 outsize/Nobi, Tabloid Extra** and custom paper sizes.
- When using the **Multi-Purpose (MP) tray (manual feed)**, the paper size has to be selected.

1. Press the **ONLINE** button to place the printer offline.
2. Press the **MENU** button until **PRINT MENU** is displayed, then preset **SELECT**.
3. Press either **ITEM (+)** or **(-)** button repeatedly until **EDIT SIZE** is displayed.
4. Press either **VALUE (+)** or **(-)** button until the required paper size is displayed, then press the **SELECT** button.
An asterisk () appears next to the selected paper size.*
5. Press the **ONLINE** button to return the printer to **ONLINE** status.
6. Select the correct paper settings in the printer driver before printing the file.

Selecting the media type and weight

Your printer automatically detects paper type and weight. You have the option, however, to override these settings as follows:



CAUTION!

If media type or media weight are not correctly set, print quality deteriorates and the fuser roller may be damaged.

1. Press the ONLINE button to place the printer offline.
2. Press the MENU button until **MEDIA MENU** is displayed, then press the SELECT button.
3. Press the ITEM (+) or (–) button until **MEDIA TYPE** or **MEDIA WEIGHT** for the required tray is displayed.
4. Press the VALUE (+) or (–) button until the required paper type or weight is displayed, then press the SELECT button.
An asterisk () appears next to the selected paper type or weight.*
5. Press the ONLINE button to return the printer back to online status.

Select the correct paper settings in the printer driver before printing the file.

MEDIA RECOMMENDATIONS

We recommend the following guidelines when selecting paper and envelopes for use in this printer:

CAUTION

Print media must be able to withstand 446°F (230°C) for 0.2 second.

Paper

- For recommended papers see your Handy Reference Guide.
- Paper should be stored flat and away from moisture, direct sunlight and heat sources.
- Don't use damp, damaged or curled paper.
- The use of heavily laid or textured paper will seriously affect the life of the image drum and give poor print quality. Print quality can be improved by changing the media setting to 'Ultra Heavy.' However, this will reduce the output speed and prevent the use of the duplex option.
- Don't use very smooth, shiny or glossy paper.
- Don't use heavily embossed headed paper, very rough paper or paper that has a large grain difference between the two sides.
- Don't use paper with perforations, cut-outs or ragged edges.
- Don't use carbon paper, NCR paper, photosensitive paper, pressure sensitive paper or thermal transfer paper.

Envelopes

- Use only recommended envelopes (OKI 52206301 and 52206302): see page 245.
- Envelopes should be stored flat and away from moisture, direct sunlight and heat sources.
- Don't use envelopes with windows or metal clasps.
- Don't use envelopes with self sealing flaps.
- Don't use damp, damaged or curled paper envelopes.

Labels

- For recommended labels see your Handy Reference Guide.
- Use only labels designed for use in color laser printers and photocopiers.
- Labels should cover entire carrier sheet.
- Carrier sheet or adhesive must not be exposed to any part of the printer.

PAPER FEED AND EXIT

Selection of which paper feed and which paper exit to use for printing and whether simplex (single sided) or duplex (double sided) printing is available, depends upon the paper size, media weight and media type that is used. Please refer to the following tables:

Paper Sizes

Paper size	Feed		Exit	
	Trays 1, 2, 3, 4, 5	MP Tray Manual	Straight-Thru (Face up)	Top (Face down)
A3	S, D ^a	S ^a	S, D ^a	S, D ^a
A4	S, D ^a	S ^a	S, D ^a	S, D ^a
A5	S, D ^a	S ^a	S, D ^a	S, D ^a
A6	b	S ^a	S ^a	b
B4	S, D ^a	S ^a	S, D ^a	S, D ^a
B5	S, D ^a	S ^a	S, D ^a	S, D ^a
Letter	S, D ^a	S ^a	S, D ^a	S, D ^a
Legal-14	S, D ^a	S ^a	S, D ^a	S, D ^a
Legal-13.5	S, D ^a	S ^a	S, D ^a	S, D ^a
Legal-13	S, D ^a	S ^a	S, D ^a	S, D ^a
Executive	S, D ^a	S ^a	S, D ^a	S, D ^a
A3 Wide	S, Da	S ^a	S, D ^a	S, D ^a
A3 Outsize/Nobi	S, D ^a	S ^a	S ^a	S, D ^a
Tabloid	S, D ^a	S ^a	S, D ^a	S, D ^a
Tabloid Extra	S, D ^a	S ^a	S, D ^a	S, D ^a
Envelopes	b	S ^a	S ^a	b
Custom ^c	b	S ^a	S ^a	b

- a. S = Simplex; D = Duplex (printing on both sides of the paper)
- b. Not usable.
- c. Width 3 to 12.9 inches (76.2 to 328 mm); height 5 to 47¼ inches (127 to 1200 mm). Must be defined in the printer driver before printing.

Paper weights and media settings

	Media weight	Feed		Exit	
		Trays 1, 2, 3	MP Tray (Manual)	Straight-Thru (face up)	Top (face down)
Paper, US Bond (Metric)					
17 lb. (64 g/m ²)	Light	S ^a	S ^a	S ^a	S ^a
18 to 19 lb. (68-71 g/m ²)	Medium light	S ^a	S ^a	S ^a	S ^a
20 to 24 lb. (75-90 g/m ²)	Medium	S, D ^a	S ^a	S, D ^a	S, D ^a
25 to 27 lb. (91-104 g/m ²)	Medium heavy	S, D ^a	S ^a	S, D ^a	S, D ^a
28 to 32 lb. (105-122 g/m ²)	Heavy	b	S ^a	S ^a	S ^a
33 to 54 lb. (123-203 g/m ²)	Ultra heavy	b	S ^a	S ^a	b
Transparencies: Media Weight Ignored					
Set MediaType = Transparency	(Ignored)	S ^a	S ^a	S ^a	b
Labels					
0.1 to 0.17 mm thick	Medium Heavy	b	S ^a	S ^a	b
0.17 to 0.2 mm thick	Ultra Heavy	b	S ^a	S ^a	b

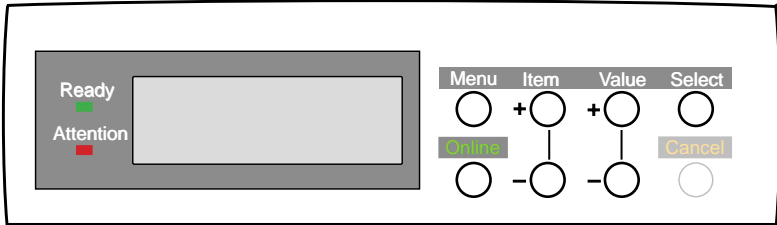
- a. S = Simplex; D = Duplex (printing on both sides of the paper)
- b. Not usable.

PRINTER SETTINGS

Confirming current settings

Current menu settings can be confirmed by printing the MenuMap: see “Printing the MenuMap” on page 38.

Changing the settings.



1. Make sure that paper is loaded into the paper tray.
2. Press the ONLINE button to place the printer offline.
3. Press the MENU button until the **INFORMATION MENU** is available.
4. Press the SELECT button until the display prompts you to print the MenuMap.
5. Press the SELECT button to print the menu map.

The printer will return to online status when the menu map is printed.

LIST OF MENU SETTINGS

Listed in the following tables are the available printer settings. The default settings for the printer are in **bold** text.

Print Jobs Menu

This menu only appears if the hard disk drive is installed.
The default settings are **bold**.

Item	Value	Description
ENTER PASSWORD	****	Sets password using a four-digit number (0~7). This item is also displayed even when OP MENU "ALL CATEGORY" is set to DISABLE in the Admin. menu.
SELECT JOB	No jobs; All jobs; File name 1 to nn	Selects printing job for Secure Print or Proof and Print. This item is also displayed even when OP MENU "ALL CATEGORY" is set to DISABLE in the Admin. menu.

Information Menu

Item	Value	Description
PRINT MENU MAP	Execute	Prints menu list.
PRINT FILE LIST	Execute	Prints job file list.
PRINT PCL FONT	Execute	Prints PCL font list.
PRINT PS FONT	Execute	Prints PostScript font list
PRINT IBM PPR FONT	Execute	Prints an IBM PPR font list.
PRINT EPSON FX FONT	Execute	Prints an Epson FX font list.
PRINT DEMO12	Execute	Prints demonstration page
PRINT ERROR LOG	Execute	Prints error log.

Test Print Menu

Item	Value	Description
PRINT ID CHECK PATTERN	Execute	Prints ID check pattern to detect bad ID. Displayed only if "TEST PRINT MENU" of the System Maintenance Menu is set to ENABLE.

Shutdown menu

Item	Value	Description
SHUTDOWN START	Execute	Shut down sequence for the printer, and is recommended to be used when the hard disk is installed to prevent any loss of data.

Print Menu

The default settings are **bold**.

Item	Value	Description
COPIES	1 to 999	Sets the number of copies.
DUPLEX	On; Off	Specifies two-sided (duplex) printing if the optional duplex unit is installed.
BINDING	Long edge ; Short edge	Sets binding for duplex printing. Only displayed if duplex is ON.
OUTPUT BIN	Face Up; Face Down	Specifies output bin.
JOB OFFSET	On ; Off	Sets job offset on or off.
PAPER FEED	Tray 1 ; Tray 2; Tray 3; Tray 4; Tray 5; MP Tray	Selects source of paper feed. Tray 2 to 5 only displayed if installed.
AUTO TRAY SWITCH	On ; Off	Automatic switching to next tray when tray in use empties.
TRAY SEQUENCE	Down ; Up; Paper feed tray	Specifies selection order priority for switching Auto Tray Select/Auto Tray Switch.
MP TRAY USAGE	Normal tray; High priority tray; Feed when mismatching ; Do not use	Specifies MP tray usage. <u>Normal tray</u> : (Tray select/switch) Use as a normal tray. <u>High priority tray</u> : (Valid with Tray select only). If there is paper in the MP tray and Duplex is not specified, the printer uses the MP tray. <u>Feed when mismatching</u> . When a paper mismatch occurs (i.e. the tray's paper size/media type does not match the print data), a paper request is issued to the MP Tray. If the data is for Duplex print, a specified tray is used instead of the MP tray. <u>Do not use</u> . Even if auto switching, MP Tray will not be used. If MP Tray is designated in Paper Feed, printer behaves as though Normal Tray is selected.
MEDIA CHECK	Enable ; Disable	Sets whether the printer checks the matching of paper size to that of the tray. Only standard sizes are checked.
TRANSPARENCY DETECT	Auto ; Disable	Enable/Disable the transparency auto detect function.

Print Menu

The default settings are **bold**.

Item	Value	Description
RESOLUTION	ES 3037 - 600 x 1200 dpi ; 600 dpi ES 3037e -1200 dpi , Fast 1200 dpi, 600 dpi	Selects print resolution.
TONER SAVE MODE	ON; OFF	ON: Enables Toner Save mode. OFF: Disables Toner Save mode.
MONO-PRINT SPEED	Auto ; Color speed; Normal speed	Selects monochrome printing speed. <u>Auto</u> : Prints at the most appropriate speed for page process. <u>Color</u> : Prints always at the color print speed. <u>Normal</u> : Prints always at the monochrome print speed.
ORIENTATION	Portrait ; Landscape	Sets page orientation for printing.
LINE PER PAGE	5 to 128. Default = 60 .	Sets the number of lines that can be printed on a page.
EDIT SIZE	Cassette size ; Letter Short Edge; Letter Long Edge; Executive; Legal 14; Legal 13.5; Legal 13; Tabloid Extra; Tabloid; A3 Nobi; A3 Wide; A3; A4 Short Edge; A4 Long Edge; A5; A6; B4; B5 Short Edge; B5 Long Edge; Custom; Com-9* envelope; Com-10* envelope; Monarch* envelope; DL* Envelope; C5* Envelope; C4* Envelope *Use long edge feed.	Cassette size is selected when using standard sized paper in the paper tray. Edit size is only used when printing one page size onto a different paper size, e.g. A6 onto A4, edit size would be set to A6, but actual paper in paper tray is A4. Invalid in PostScript emulation.

Media Menu

The default settings are **bold**.

Item	Value	Description
TRAY 1 MEDIATYPE	Plain ; Letterhead; Transparency; Bond; Recycled; Card stock; Rough.	Selects the paper type for Tray 1.
TRAY 1 MEDIaweIGHT	Auto ; Light; Medium Light; Medium; Medium Heavy; Heavy; Ultra Heavy	Sets the media weight for Tray 1
TRAY 2 MEDIATYPE	Plain ; Letterhead; Bond; Recycled; Card stock; Rough	Sets the media type for optional Tray 2. (Only displayed if installed)
TRAY 2 MEDIaweIGHT	Auto ; Light; Medium Light; Medium; Medium Heavy; Heavy; Ultra Heavy	Selects the media weight for optional Tray2. (Only displayed if installed)
TRAY 3 MEDIATYPE	Plain ; Letterhead; Bond; Recycled; Card stock; Rough	Sets the media type for optional Tray 3. (Only displayed if installed)
TRAY 3 MEDIaweIGHT	Auto ; Light; Medium Light; Medium; Medium Heavy; Heavy; Ultra Heavy	Selects the media weight for optional Tray 3. (Only displayed if installed)
TRAY 4 MEDIATYPE	Plain ; Letterhead; Transparency; Bond; Recycled; Card stock; Rough.	Sets the media type for optional Tray 4. (Only displayed if installed)
TRAY 4 MEDIaweIGHT	Auto ; Light; Medium Light; Medium; Medium Heavy; Heavy; Ultra Heavy	Selects the media weight for optional Tray 4. (Only displayed if installed)
TRAY 5 MEDIATYPE	Plain ; Letterhead; Bond; Recycled; Card stock; Rough	Sets the media type for optional Tray 5. (Only displayed if installed)
TRAY 5 MEDIaweIGHT	Auto ; Light; Medium Light; Medium; Medium Heavy; Heavy; Ultra Heavy	Selects the media weight for optional Tray 5. (Only displayed if installed)

Media Menu (continued)

The default settings are **bold**.

Item	Value	Description
MP TRAY PAPER SIZE	A3 Nobli; A3 Wide; A3; A4 Short Edge; A4 Long Edge; A5; A6; B4; B5 Short Edge; B5 Long Edge; Legal 14; Legal 13.5; Legal 13; Tabloid Extra; Tabloid; Letter Short Edge; Letter Long Edge ; Executive; Custom; Com-9 envelope LEF; Com-10 envelope LEF; Monarch envelope LEF; DL Envelope LEF; C5 Envelope LEF; C4 Envelope LEF	Sets the paper size for the multipurpose paper tray. LEF = Long Edge Feed
MP TRAY MEDIA TYPE	Plain ; Letterhead; Transparency; Labels; Bond; Recycled; Card stock; Rough	Selects the paper type for multipurpose paper tray.
MP TRAY MEDIAWEIGHT	Auto ; Light; Medium Light; Medium; Medium Heavy; Heavy; Ultra Heavy	Sets the paper weight for the multipurpose (MP) paper tray.
UNIT OF MEASURE	inches ; Millimeter	Sets the units of measurement for custom paper size.
X DIMENSION (INCH)	3 inches to 12.9 inches Default = 8.5 inches	Sets the width of custom paper. For these dimensions to work, the MP tray paper size must be set to custom.
Y DIMENSION (INCH)	5 inches to 35.5 inches Default = 11 inches	Sets the length of custom paper. For these dimensions to work, the MP tray paper size must be set to custom.

Color Menu

The default settings are **bold**.

Item	Value	Description
AUTO DENSITY MODE	Auto ; Manual.	Select whether density adjustment and Toner Response Curve (TRC) compensation is automatic. <u>Auto</u> : Density adjustment is automatically run under specified conditions, and reflected in the TRC compensation. <u>Manual</u> : Density adjustment is done manually (see page 77).
ADJUST DENSITY	Execute	If EXECUTE is selected, the printer will immediately adjust density and reflect it in the TRC compensation. Density adjustment must be executed when the printer is idling. It may become invalid if executed in any other state.
COLOR TUNING	Print pattern	Prints the pattern for the user to manually adjust TRC. Ordinarily this function is not needed because TRC is automatically adjusted. This function permits TRC adjustment to your requirement by using the adjustment menu of HIGHLIGHT, MID-TONE, and DARK for each of CMYK. See page 77.
CYAN, MAGENTA, YELLOW OR BLACK HIGHLIGHT	0+1+2+3-3-2-1	Adjusts HIGHLIGHT (light area) of Cyan, Magenta, Yellow or Black TRC. Plus indicates adjustment toward a darker level and minus toward lighter.
CYAN, MAGENTA, YELLOW OR BLACK MID-TONE	0+1+2+3-3-2-1	Adjusts MID-TONE of Cyan, Magenta, Yellow or Black TRC. Plus indicates adjustment toward a darker level and minus toward lighter.
CYAN, MAGENTA, YELLOW OR BLACK DARK	0+1+2+3-3-2-1	Adjusts DARK of Cyan, Magenta, Yellow or Black TRC. Plus indicates adjustment toward a darker level and minus toward lighter.

Color Menu (continued)

The default settings are **bold**.

Item	Value	Description
CYAN, MAGENTA, YELLOW OR BLACK DARKNESS	0+1+2+3-4-3-2-1	Adjusts Cyan, Magenta, Yellow or Black engine density. The Darkness settings for each of CMYK will be reflected as offset values (additions) to the corrections through the Adjust Density/TRC Compensation function.
ADJUST REGISTRATION	Execute	When this menu is selected, the printer performs an Auto Adjust Registration. Must be executed in the idle state (Auto Registration OFF).
CYAN REGISTRATION - FINE ADJUST	0+1+2+3-3-2-1	Makes a fine adjustment to image registration in Cyan, Magenta or Yellow against Black in the horizontal direction. The adjustment is reflected as an offset (addition) value to the corrections through Auto Color Registration Correction. Values are adjusted in increments of 1/1200th of an inch. Example: if the paper movement is upward - if a value is increased (+) then it means the image moves downward in relation to it.
MAGENTA REGISTRATION - FINE ADJUST	0+1+2+3-3-2-1	
YELLOW REGISTRATION - FINE ADJUST	0+1+2+3-3-2-1	
INK SIMULATION	Off; SWOP	The printer has its own process simulation generator which simulates standard colors in the printer. This function is enabled only with Postscript language jobs.
INK LIMIT	Dark; Medium; Light	Selects the limit of the toner layer thickness. If paper curl occurs in DARK printing, selecting MEDIUM or LIGHT sometimes helps reduce curl.

Color Menu (continued)

The default settings are **bold**.

Item	Value	Description
CMY 100% DENSITY	Disable ; enable	Selects enable/disable 100% output against the CMY100% TRC compensation. Ordinarily, the TRC compensation function controls the appropriate print density; thus, 100% output is not always enabled. Selecting ENABLE will allow 100% output. In actual printing, the TRC values, too, are controlled by Color Matching. This function is used for special purposes; for example, to specify the color for CMYK color space in PS.

System configuration menu

The default settings are **bold**.

Item	Value	Description
POWER SAVE DELAY TIME	5 min; 15 min; 30 min; 60 min ; 240 min	Sets the time before printer enters power save mode.
PERSONALITY	Auto emulation ; PCL; IBM PPR III XL; Epson FX; AdobePostScrip	Selects the printer emulation language. Note: the only printer languages that can be selected are those enabled in the Personality section of the Maintenance menu .
USB PS-PROTOCOL	ASCII RAW	Specifies PostScript (PS) communication protocol mode of data from USB. (In RAW mode, Ctrl-T is invalid.)
NETWORK PS PROTOCOL	ASCII RAW	Specifies PS communication protocol mode of data from OkiLAN 6200e Plus. (In RAW mode, Ctrl-T is invalid.)
CLEARABLE WARNING	ON ; Job	PCL emulation : Sets the time before deleting error messages. If On, press Error Delete switch to display error. If Job, error remains displayed until next print job is received. PS emulation : Error messages are only shown during job regardless of setting.
AUTO CONTINUE	On; Off	Sets the printer to recover automatically after a memory overflow or print overrun.
MANUAL TIMEOUT	60 sec ; 30 sec; Off	Sets the time between requesting that paper is inserted and when the print job is cancelled should paper not be inserted. Only works in PostScript mode.
WAIT TIMEOUT	Off; 5 sec to 300 sec; default = 40 sec	Sets the time between receiving the last byte of data and the page being automatically ejected. Only works in PCL mode. In PS mode the job will be cancelled.

System configuration menu (continued)

The default settings are **bold**.

Item	Value	Description
LOW TONER	Continue ; Stop	If set to CONTINUE, allows printing to continue when Low toner is displayed. If STOP is selected - when Low toner is displayed, the printer goes off line.
JAM RECOVERY	ON ; OFF	Sets whether or not printing will continue after a paper jam has been cleared. If set to OFF, the print job that was being printed when the paper jam occurred will be cancelled after clearing the paper jam. When set to ON, the print job will continue after the jam has been cleared.
ERROR REPORT	ON; Off	When set to ON, prints an error report when internal error occurs. Only works in PostScript mode.
LANGUAGE	English ; German; French; Italian; Spanish; Swedish; Norwegian; Danish; Dutch; Turkish; Portuguese; Polish	Selects the printer display language.

PCL emulation

The default settings are **bold**.

Item	Value	Description
FONT SOURCE	Resident ; DIMM0; Downloaded	Selects location of the PCL font used. <u>DIMM0</u> is displayed only when font DIMM ROM exists in the slot. <u>Downloaded</u> only appears if fonts have been downloaded to the printer.
FONT NO.	I000 , C001, S001	Sets the PCL font number. I = internal (resident font); I000 = Courier. C = Font stored in the printer's Flash memory. S = downloaded soft font, stored on the printer's internal hard disk drive. Applies only to printers with a hard disk drive installed.
FONT PITCH	0.44 cpi to 99.99 cpi in 0.01 cpi increments Default = 10.00 cpi	Sets the font width in characters per inch. Only displayed if the font is a fixed spacing outline font.
FONT HEIGHT	4.00 to 999.75 point, in 0.25 point increments Default = 12.00 point	Sets the font point size. Applies only to fixed fonts (does not apply to proportional fonts).

PCL emulation (continued)

The default settings are **bold**.

Item	Value	Description
SYMBOL SET	PC-8 , PC-8 Dan/Nor, PC-8 TK, PC-775, PC-850, PC-852, PC-855, PC-857 TK, PC-858, PC-866, PC-869, PC-1004, Pi Font, Plska Mazvia, PS Math, PS Text, Roman-8, Roman-9, Roman Ext, Serbo Croat1, Serbo Croat2, Spanish, Ukrainian, VN Int'l, VN Math, VN US, Win 3.0, Win 3.1 Bit, Win 3.1 Cyr, Win 3.1 Grk, Win 3.1 Heb, Win 3.1 L1, Win 3.1 L2, Win 3.1 L5, Wingdings, Dingbats MS, Symbol, OCR-A, OCR-B, HP ZIP, USPSFIM, USPSSTP, USPSZIP, Bulgarian, CWI Hung, DeskTop, German, Greek-437, Greek-437 Cy, Greek-928, Hebrew NC, Hebrew OC, IBM-437, IBM-850, IBM-860, IBM-863, IBM-865, ISO Dutch, ISO L1, ISO L2, ISO L5, ISO L6, ISO L9, ISO Swedish1, ISO Swedish2, ISO Swedish3, ISO-2 IRV, ISO-4 UK, ISO-6 ASC, ISO-10 S/F, ISO-11 Swe, ISO-14 JASC, ISO-15 Ita, ISO-16 Por, ISO-17 Spa, ISO-21 Ger, ISO-25 Fre, ISO-57 Chi, ISO-60 Nor, ISO-61 Nor, ISO-69 Fre, ISO-84 Por, ISO-85 Spa, Kamenicky, Legal, Math-8, MC Text, MS Publish, PC Ext D/N, PC Ext US, PC Set1, PC Set2 D/N, PC Set2 US,	Selects a PCL character symbol set

PCL emulation (continued)

The default settings are **bold**.

Item	Value	Description
A4 PRINT WIDTH	78 column; 80 column	If you are printing a letter size document on an A4 size sheet, select 80 column. This condenses the print to fit on the slightly narrower A4 sheet, without changing the line breaks.
WHITE PAGE SKIP	OFF ; ON	Selects whether or not to print pages that contain no data (white pages), PCL mode.
CR FUNCTION	CR ; CR+LF	Sets functionality on receipt of CR code in PCL mode.
LF FUNCTION	LF ; LF+CR	Sets functionality on receipt of LF code in PCL mode.
PRINT MARGIN	Normal ; 1/5 inch; 1/6 inch	Sets unprintable paper area (margin). Normal: PCL emulation compatible 1/5 inch: domestic model emulation. 1/6 inch: HIPER-W emulation.
TRUE BLACK	OFF ; ON	PCL: Sets whether to use Composite Black (CMYK mixed) or Pure Black (K only) for the black (100%) in image data. OFF: Mode using Composite Black. ON: Mode using Pure Black (not valid with PostScript).
PEN WIDTH ADJUST	ON ; OFF	IN PCL, when switched ON, emphasizes the pen width to improve the appearance of lines specified with minimum width.

PPR Emulation Menu

The default settings are **bold**.

Item	Value	Description
CHARACTER PITCH	10 CPI ; 12 CPI; 17 CPI; 20 CPI; PROPORTIONAL	Specifies character pitch in IBM PPR emulation.
FONT CONDENSE	12CPI TO 20CPI ; 12CPI TO 12CPI	Specifies 12CPI pitch for Condense Mode.
CHARACTER SET	Set 1; Set 2	Specifies a character set.
SYMBOL SET	PC-8, PC-8 Dan/Nor, PC-8 TK, PC-775, PC-850, PC-852, PC-855, PC-857 TK, PC-858, PC-866, PC-869, PC-1004, Pi Font, Pliska Mazvia, PS Math, PS Text, Roman-8, Roman-9, Roman Ext, Serbo Croat1, Serbo Croat2, Spanish, Ukrainian, VN Int'l, VN Math, VN US, Win 3.0, Win 3.1 Blt, Win 3.1 Cyr, Win 3.1 Grk, Win 3.1 Heb, Win 3.1 L1, Win 3.1 L2, Win 3.1 L5, ISO Swedish1, ISO Swedish2, ISO Swedish3, ISO-2 IRV, ISO-4 UK, ISO-6 ASC, ISO-10 S/F, ISO-11 Swe, ISO-14 JASC, ISO-15 Ita, ISO-16 Por, ISO-17 Spa, ISO-21 Ger, ISO-25 Fre, ISO-57 Chi, ISO-60 Nor, ISO-61 Nor, ISO-69 Fre, ISO-84 Por, ISO-85 Spa, Kamenicky, Legal, Math-8, MC Text, MS Publish, PC Ext D/N, PC Ext US, PC Set1, PC Set2 D/N, PC Set2 US, Bulgarian, CWI Hung, DeskTop, German, Greek-437, Greek-437 Cy, Greek-928, Hebrew NC, Hebrew OC, IBM-437 , IBM-850, IBM-860, IBM-863, IBM-865, ISO Dutch, ISO L1, ISO L2, ISO L5, ISO L6, ISO L9	Specifies a symbol set.

PPR Emulation Menu (continued)

The default settings are **bold**.

Item	Value	Description
LETTER 0 STYLE	Disable ; Enable	Specifies the style that replaces 9BH with o and 9DH with a zero.
ZERO CHARACTER	Normal ; Slashed	Sets the zero to be slashed or unslashed.
LINE PITCH	6 LPI ; 8 LPI	Specifies the line spacing.
WHITE PAGE SKIP	OFF ; ON	Specifies whether or not the printer ejects a blank sheet. Not available with duplex operation.
CR FUNCTION	CR ; CR+LF	Sets functionality on receipt of CR code.
LF FUNCTION	LF ; LF+CR	Sets functionality on receipt of LF code.
LINE LENGTH	80 COLUMN ; 136 COLUMN	Specifies the number of characters per line.
FORM LENGTH	11 INCH ; 11.7 INCH; 12 INCH	Specifies the length of paper.
TOF POSITION	0.0 to 1.0 INCH, in 0.1-inch increments	Specifies the distance of print from the top edge of the paper.
LEFT MARGIN	0.0 to 1.0 INCH, in 0.1-inch increments	Specifies the distance of print from the left hand edge of the paper.
FIT TO LETTER	Disable; Enable	Sets the printing mode that can fit print data, equivalent to 11 inches (66 lines), in the LETTER-size printable area.
TEXT HEIGHT	Same ; Diff	Sets the height of a character. SAME: Regardless of CPI, same height. DIFF: As CPI, character heights vary.
CONT PAPER MODE	Off ; On	Sets the edit direction of paper to landscape.

FX emulation

The default settings are **bold**.

Item	Value	Description
CHARACTER PITCH	10 CPI ; 12 CPI; 17 CPI; 20 CPI; PROPORTIONAL	Specifies character pitch in this emulation.
CHARACTER SET	Set 1; Set 2	Specifies a character set.
SYMBOL SET	PC-8, PC-8 Dan/Nor, PC-8 TK, PC-775, PC-850, PC-852, PC-855, PC-857 TK, PC-858, PC-866, PC-869, PC-1004, Pi Font, Pliska Mazvia, PS Math, PS Text, Roman-8, Roman-9, Roman Ext, Serbo Croat1, Serbo Croat2, Spanish, Ukrainian, VN Int'l, VN Math, VN US, Win 3.0, Win 3.1 Bit, Win 3.1 Cyr, Win 3.1 Grk, Win 3.1 Heb, Win 3.1 L1, Win 3.1 L2, Win 3.1 L5, ISO Swedish1, ISO Swedish2, ISO Swedish3, ISO-2 IRV, ISO-4 UK, ISO-6 ASC, ISO-10 S/F, ISO-11 Swe, ISO-14 JASC, ISO-15 Ita, ISO-16 Por, ISO-17 Spa, ISO-21 Ger, ISO-25 Fre, ISO-57 Chi, ISO-60 Nor, ISO-61 Nor, ISO-69 Fre, ISO-84 Por, ISO-85 Spa, Kamenicky, Legal, Math-8, MC Text, MS Publish, PC Ext D/N, PC Ext US, PC Set1, PC Set2 D/N, PC Set2 US, Bulgarian, CWI Hung, DeskTop, German, Greek-437, Greek-437 Cy, Greek-928, Hebrew NC, Hebrew OC, IBM-437 , IBM-850, IBM-860, IBM-863, IBM-865, ISO Dutch, ISO L1, ISO L2, ISO L5, ISO L6, ISO L9	Specifies a symbol set.
LETTER 0 STYLE	Disable ; Enable	Specifies the style that replaces 9BH with o and 9DH with a zero.

FX emulation (continued)

The default settings are **bold**.

Item	Value	Description
ZERO CHARACTER	Normal ; Slashed	Sets the zero to be slashed or unslashed.
LINE PITCH	6 LPI ; 8 LPI	Specifies the line spacing.
WHITE PAGE SKIP	OFF ; ON	Specifies whether or not the printer ejects a blank sheet. Not available with duplex operation.
CR FUNCTION	CR ; CR+LF	Sets functionality on receipt of CR code.
LINE LENGTH	80 COLUMN ; 136 COLUMN	Specifies the number of characters per line.
FORM LENGTH	11 inch ; 11.7 inch; 12 inch	Specifies the length of paper.
TOF POSITION	0.0 to 1.0 inch in 0.01-inch increments	Specifies the distance of print from the top edge of the paper.
LEFT MARGIN	0.0 to 1.0 inch in 0.01-inch increments	Specifies the distance of print from the left hand edge of the paper.
FIT TO LETTER	Disable; Enable	Sets the printing mode that can fit print data, equivalent to 11 inches (66 lines), in the LETTER-size printable area.
TEXT HEIGHT	Same ; Diff	Sets the height of a character. SAME: Regardless of CPI, same height. DIFF: As CPI, character heights vary.
CONT PAPER MODE	Off ; On	Sets edit direction of paper to landscape.

Parallel menu

The defaults are **bold**.

Item	Value	Description
PARALLEL	Enable ; Disable	Selects parallel (Centronics) interface.
BI-DIRECTION	Enable ; Disable	Selects bi-directional communication.
ECP	Enable ; Disable	Selects ECP mode.
ACK WIDTH	NARROW ; MEDIUM; WIDE)	Sets ACK width for compatible reception: Narrow = 0.5 μ S Medium = 1.0 μ S Wide = 3.0 μ S
ACK/BUSY TIMING	ACK-in-Busy ; ACK-while-Busy	Sets output order for ACK and BUSY during reception. ACK IN BUSY: BUSY=LOW to the end of the ACK pulse ACK WHILE BUSY: BUSY=LOW to the centre of the ACK pulse.
I-PRIME	3 micro-sec; 50 micro-sec; Disable	Sets or disables the i-Prime signal
OFFLINE RECEIVE	Enable; Disable	When set to Enable, this function maintains reception without changing the interface signal, even though an alarm occurs. The interface stays open even if the ON LINE button is pressed. The interface issues a BUSY signal only when the receive buffer is full or when a service call occurs.

USB menu

The default settings are **bold**.

Item	Value	Description
USB	Enable ; Disable	Selects USB interface.
SOFT RESET	Enable; Disable	Selects use of soft reset command.
OFFLINE RECEIVE	Enable; Disable	When set to Enable, this function maintains reception without changing the interface signal, even if an alarm occurs. The interface stays open even if the ON LINE button is pressed. The interface issues a BUSY signal only when the receive buffer is full or when a service call occurs.

Network menu

Only appears if the network card is installed.
The default settings are **bold**.

Item	Value	Description
TCP/IP	Enable ; Disable	Selects TCP/IP protocol.
NETWARE	Enable ; Disable	Selects Netware protocol.
ETHERTALK	Enable ; Disable	Selects EtherTalk protocol.
NETBEUI	Enable ; Disable	Selects NetBEUI protocol.
FRAME TYPE	Auto ; 802.2; 802.3 Ether-II; Snap	Selects Ethernet frame type.
DHCP/BOOTP	Enable ; Disable	Selects whether selection of DHCP/ BOOP is automatic.
RARP	Enable; Disable	Selects whether selection of RARP is automatic.
IP ADDRESS	xxx.xxx.xxx.xxx	Configures IP address of 12 alphanumeric characters.
SUBNET MASK	xxx.xxx.xxx.xxx	Configures subnet mask of 12 alphanumeric characters.
GATEWAY ADDRESS	xxx.xxx.xxx.xxx	Configures gateway address of 12 alphanumeric characters.
PRINT SETTINGS	ON; OFF	Selects printing of network menu map.
INITIALIZE	ON; OFF	Selects network initialization.

Memory menu

The default settings are **bold**.

Item	Value	Description
RECEIVE BUFF SIZE	Auto ; OFF; 0.5 MB; 1 MB; 2 MB; 4 MB; 8 MB; 16 MB; 32 MB	Sets the size of the receive buffer and depends on the amount of memory installed in the printer.
RESOURCE SAVE	AUTO; Off ; 0.5 MB; 1 MB; 2 MB; 4 MB; 8 MB; 16 MB; 32 MB	Set the size of the font cache area and depends on the amount of memory installed in the printer.
FLASH INITIALIZE	Execute	Initializes flash memory if installed.

Memory menu

The default settings are **bold**.

Item	Value	Description
PS FLASH RESIZE	0% [n.n MB] TO 90% [n.n MB], in 10% increments	Changes the size of the flash memory area. "n.n" indicates the actual size in MB. Note: Special data is stored in the Flash Memory, therefore you cannot specify 100%.

CAUTION!

The Disk Maintenance Menu can be used to initialize the printer's internal hard disk drive, to reassign the partition contents, or to reformat the partitions.

Unless you know what you are doing, please avoid this section of the Menu.

It is recommended that disk maintenance be done through the OKI Storage Device Manager software by the System Administrator, or by someone who is knowledgeable in this area.

Disk Maintenance Menu

The default settings are **bold**.

Item	Value	Description
HDD INITIALIZE	EXECUTE	Partitions hard disk and formats each partition. Appears only if hard disk drive is installed.
PARTITION SIZE	nnn% / mmm% / xxx%	Sets usage of hard disk drive partitions: nnn = Common mmm = PCL xxx = PS Range for each partition: 1 to 98% in 1% increments. nnn + mmm + xxx = 100%.
HDD FORMATTING	PCL, COMMON, PS	Formats specified partition.

System adjust menu

The default settings are **bold**.

Item	Value	Description
X ADJUST	0.00 MM ; Range +0.25 TO +2.0 MM and – 2.0 TO – 0.25 MM in 0.25 mm increments	Adjusts overall print position horizontally in 0.20 increments.
Y ADJUST	0.00 MM ; Range +0.25 TO +2.0 MM and – 2.0 TO – 0.25 MM in 0.25 mm increments	Adjusts overall print position vertically in 0.20 increments.
DUPLEX X ADJUST	0.00 MM ; Range +0.25 TO +2.0 MM and – 2.0 TO – 0.25 MM in 0.25 mm increments	Adjusts overall print position of print face horizontally in 0.20 increments.
DUPLEX Y ADJUST	0.00 MM ; Range +0.25 TO +2.0 MM and – 2.0 TO – 0.25 MM in 0.25 mm increments	Adjusts overall print position of print face vertically in 0.20 increments.
TRAY 1 A3 NOBI PAPER	A3 Nobi; A3 Wide; Tabloid extra	Sets Tray 1 large paper size.
TRAY 1 LEGAL 14	Legal 14 ; Legal 13.5	Sets Tray 1 legal paper size.
TRAY 2 A3 NOBI PAPER	A3 Nobi; A3 Wide; Tabloid extra	Sets Tray 2 large paper size.
TRAY 2 LEGAL 14	Legal 14 ; Legal 13.5	Sets Tray 2 legal paper size.
TRAY 3 A3 NOBI	A3 Nobi; A3 Wide; Tabloid extra	Sets Tray 3 large paper size.
TRAY 3 LEGAL 14	Legal 14 ; Legal 13.5	Sets Tray 3 legal paper size.
TRAY 4 A3 NOBI	A3 Nobi; A3 Wide; Tabloid extra	Sets Tray 4 large paper size.
TRAY 4 LEGAL 14	Legal 14 ; Legal 13.5	Sets Tray 4 legal paper size.
TRAY 5 A3 NOBI	A3 Nobi; A3 Wide; Tabloid extra	Sets Tray 5 large paper size.
TRAY 5 LEGAL 14	Legal 14 ; Legal 13.5	Sets Tray 5 legal paper size. (Only displayed if Tray 5 is installed)
PCL TRAY 2 ID#	1 to 59; default = 5	Sets Tray 2 number for PCL emulation.
PCL TRAY 3 ID#	1 – 59; default = 20	Sets Tray 3 number for PCL emulation.

System adjust menu (continued)

The default settings are **bold**.

Item	Value	Description
PCL TRAY 4 ID#	1 – 59; default = 21	Sets Tray 4 number for PCL emulation.
PCL TRAY 5 ID#	1 – 59; default = 22)	Sets Tray 5 number for PCL emulation.
PCL MP TRAY ID#	1 – 59; default = 4	Sets MP Tray number for PCL emulation.
DRUM CLEANING	OFF; ON	Sets whether to rotate the drum in idle mode before printing to reduce horizontal white lines effect. This will shorten image drum life.
HEX DUMP	Execute	Prints out data received from the host PC in a hexadecimal dump.

Maintenance menu

The default settings are **bold**.

Item	Value	Description
EEPROM RESET	Execute	Initializes EEPROM for each unit.
SAVE MENU	Execute	Saves the current menu settings.
RESTORE MENU	Execute	Reverts to stored menu settings. (Only displayed if there are saved menu settings).
POWER SAVE	Enable ; Disable	Selects power save mode when no input is received for a specified time. See also System adjust menu.
PAPER BLACK SETTING	0 ; +1; +2; -2; -1	Not normally used.
PAPER COLOR SETTING	0 ; +1; +2; -2; -1	Not normally used.
TRANSPR BLACK SETTING	0 ; +1; +2; -2; -1	Not normally used.
TRANSPR COLOR SETTING	0 ; +1; +2; -2; -1	Not normally used.

Usage menu

Item	Value	Description
TOTAL PAGE COUNT	nnnnnn	Shows total number of pages printed.
TRAY 1 PAGE COUNT	nnnnnn	Shows number of pages printed from Tray 1.
TRAY 2 PAGE COUNT	nnnnnn	Shows number of pages printed from Tray 2. Displayed if optional Tray 2 is installed.
TRAY 3 PAGE COUNT	nnnnnn	Shows number of pages printed from Tray 3. Displayed if optional Tray 3 is installed.
TRAY 4 PAGE COUNT	nnnnnn	Shows number of pages printed from Tray 4. Displayed if optional Tray 4 is installed.
TRAY 5 PAGE COUNT	nnnnnn	Shows number of pages printed from Tray 5. Displayed if optional Tray 5 is installed.
MP TRAY PAGE COUNT	nnnnnn	Shows number of pages printed from Multipurpose Paper Tray.
COLOR PAGE COUNT	nnnnnn	Number of pages printed in color.
MONOCHROME PAGE COUNT	nnnnnn	Number of pages printed in monochrome.
BLACK DRUM LIFE	Remaining nnn%	Displays the remaining life of the black image drum as a percentage.
CYAN DRUM LIFE	Remaining nnn%	Displays the remaining life of the cyan image drum as a percentage.
MAGENTA DRUM LIFE	Remaining nnn%	Displays the remaining life of the magenta image drum as a percentage.
YELLOW DRUM LIFE	Remaining nnn%	Displays the remaining life of the yellow image drum as a percentage.
BELT LIFE	Remaining nnn%	Displays the remaining life of the belt as a percentage.
FUSER LIFE	Remaining nnn%	Displays the remaining life of the fuser roller as a percentage.
BLACK TONER	15K = xxx%; 7.5K =yyy%	Displays black toner remaining.
CYAN TONER	15K = xxx%; 7.5K = yyy%	Displays cyan toner remaining.

Usage menu (continued)

Item	Value	Description
MAGENTA TONER	15K = xxx%; 7.5K = yy%	Displays magenta toner remaining.
YELLOW TONER	15K = xxx%; 7.5K = yy%	Displays yellow toner remaining.

LIST OF ADMINISTRATOR MENU SETTINGS

NOTE

Only system administrators have access to this menu.

To enter this menu, turn on the printer while holding down the ITEM+ button.

OP menu

The default settings are **bold**.

Item	Value	Description
ALL CATEGORY	Enable , Disable	Enable/Disable all categories of User Menu. Set to Disable, no user menu is shown except the PRINT JOB MENU. Panel Lock is still available.
PRINT JOBS MENU	Enable , Disable	Enable/Disable PRINT JOBS MENU. Set to Disable, PRINT JOBS MENU is not displayed. (PRINT JOB MENU is displayed when this MENU setting is set to ENABLE even though ALL CATEGORY is set to DISABLE.)
INFORMATION MENU	Enable , Disable	Enable/Disable INFORMATION MENU. Set to Disable, INFORMATION MENU is not displayed.
SHUTDOWN MENU	Enable , Disable	Enable/Disable SHUTDOWN MENU. Set to Disable, SHUTDOWN MENU is not displayed.
PRINT MENU	Enable , Disable	Enable/Disable PRINT MENU. Set to Disable, PRINT MENU is not displayed.
MEDIA MENU	Enable , Disable	Enable/Disable MEDIA MENU. Set to Disable, MEDIA MENU is not displayed.
COLOR MENU	Enable , Disable	Enable/Disable COLOR MENU. Set to Disable, COLOR MENU is not displayed.
SYSTEM CONFIG MENU	Enable , Disable	Enable/Disable SYSTEM MENU. Set to Disable, SYSTEM MENU is not displayed.

OP menu (continued)

The default settings are **bold**.

Item	Value	Description
PCL EMULATION MENU	Enable , Disable	Enable/Disable PCL EMULATION MENU. Set to Disable, PCL EMULATION MENU is not displayed.
PPR EMULATION MENU	Enable , Disable	Enable/Disable PPR EMULATION MENU. Set to Disable, PPR EMULATION MENU is not displayed.
FX EMULATION MENU	Enable , Disable	Enable/Disable FX EMULATION MENU. Set to Disable, FX EMULATION MENU is not displayed.
PARALLEL MENU	Enable , Disable	Enable/Disable PARALLEL MENU. Set to Disable, PARALLEL MENU is not displayed.
USB MENU	Enable , Disable	Enable/Disable USB MENU. Set to Disable, USB MENU is not displayed.
IEEE 1394 MENU	Enable , Disable	Displayed only when the IEEE 1394 board is installed. Enable/Disable IEEE 1394 MENU. Set to Disable, IEEE 1394 MENU is not displayed.
NETWORK MENU	Enable , Disable	Displayed only when the Network Interface Card is installed. Enable/Disable NETWORK MENU. Set to Disable, NETWORK MENU is not displayed.
MEMORY MENU	Enable , Disable	Enable/Disable MEMORY MENU. Set to Disable, MEMORY MENU is not displayed.
DISK MAINTENANCE	Enable , Disable	Enable/Disable DISK MAINTENANCE MENU. Set to Disable, DISK MAINTENANCE MENU is not displayed.
SYSTEMADJUST MENU	Enable , Disable	Enable/Disable SYSTEM ADJUST MENU. Set to Disable, SYSTEM ADJUST MENU is not displayed.
MAINTENANCE MENU	Enable , Disable	Enable/Disable MAINTENANCE MENU. Set to Disable, MAINTENANCE MENU is not displayed.
USAGE MENU	Enable , Disable	Enable/Disable USAGE MENU. Set to Disable, USAGE MENU is not displayed.

Color Menu

Item	Value	Description
RESET C GAMMA FILTER	EXECUTE	Reset the stored TRC data (retained for tracking).
RESET M GAMMA FILTER	EXECUTE	For example, correct values could not be taken due to “out of order” situation.
RESET Y GAMMA FILTER	EXECUTE	This is mainly for maintenance purposes and <i>not ordinarily used</i> .
RESET K GAMMA FILTER	EXECUTE	

Block Device Menu

The default settings are **bold**.

Item	Value	Description
INITIALIZE LOCK	YES, NO	Change to YES to block the operator panel from showing FLASH INITIALISE ITEM and PS FLASH RESIZE ITEM in the Disk maintenance and Memory menus.

Peak Power Control Menu

The default settings are **bold**.

Item	Value	Description
PEAK POWER CONTROL	NORMAL , LOW	Sets Peak Power Control.

SETTING COLOR TUNING FROM THE FRONT PANEL

Important!

- In most cases, using Color Tuning is not necessary as the printer is optimized for color printing at its default settings.
- Once you change these settings, they remain in effect until you go back in and change them.
- To return the settings to the defaults, use the steps below to set each value back to 0 (zero).

You can use the printer's menu to adjust the color intensity for a specific color by adjusting the HIGHLIGHT, MID-TONE and DARK (shadows) Color Tuning Patterns.

- To *increase* the color intensity, use a higher positive setting (default = 0, maximum = +3).
- To *decrease* the color intensity, use a higher negative setting (default = 0, maximum = -3).

For example, to adjust the intensity of the magenta portion:

NOTE

When using the Print Job Accounting utility, you cannot print when "Local Print" is set to "No printing" or "No color printing."

1. Print the Color Tuning Pattern:



- a. Make sure letter size paper is loaded in the tray.
- b. Press the MENU button repeatedly until **COLOR MENU** displays.
- c. Press the ITEM button repeatedly until **COLOR TUNING** displays.
- d. Press SELECT.

The Color Tuning Pattern prints.

2. Adjust the Magenta highlight color.
 - a. Press the ITEM button repeatedly until **MAGENTA HIGHLIGHT nn** displays.
 - b. Press the VALUE button repeatedly until the new value you wish to use displays (e.g., +3).
 - c. Press the SELECT button.

An asterisk () appears at the right of the number.*

3. Adjust the Magenta mid-tone color:
 - a. Press the ITEM button repeatedly until **MAGENTA MID-TONE nn** appears.
 - b. Press the VALUE button repeatedly until the new value you wish to use displays (e.g., +3).
 - c. Press the SELECT button.

An asterisk () appears at the right of the number.*

4. Adjust the Magenta dark color:
 - a. Press the ITEM button repeatedly until **MAGENTA DARK nn** displays.
 - b. Press the VALUE button repeatedly until the new value you wish to use displays (e.g., +3).
 - c. Press the SELECT button.

An asterisk () appears at the right of the number.*

5. Press the ON LINE button to save the new setting and return the printer to online status
6. Print from your application.

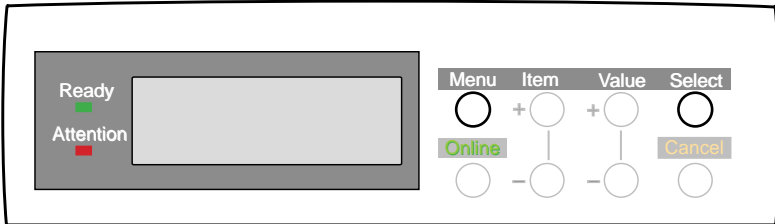
Repeat the above steps until you get the desired magenta color intensity.

NOTE

To adjust these settings for the Cyan, Yellow or Black color intensity, substitute the appropriate color name in the steps above.

SWITCHING OFF

In normal circumstances the power save facility should be used to avoid having to switch the printer off. However if you do wish to switch the printer off manually, please carry out the following procedure:

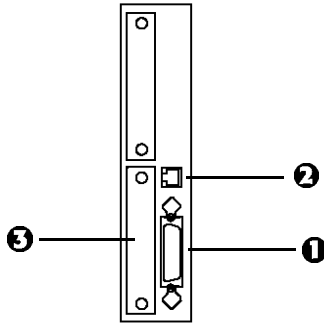


CAUTION!

- **NEVER** turn the printer off while it is printing.
- If the optional hard disk has been installed, The following procedure **MUST BE FOLLOWED** before turning off to protect any data that is stored on the hard disk.
- It is recommended that you follow this shutdown procedure each time the printer is switched off for any reason.
- After switching the printer OFF, wait at least 10 seconds before switching it ON again. This allows the internal power levels to drop. Switching on too soon could cause the printer to malfunction.

1. Press the MENU button until the **SHUTDOWN MENU** is displayed, then press the SELECT button.
2. Press the **Select** button again to **EXECUTE** the shutdown sequence.
3. When **PLEASE POWER OFF SHUTDOWN COMPLETED** is displayed, turn the printer off using the power switch.

INTERFACES



Your printer is equipped with a selection of data interfaces:

1. **Parallel** – For direct connection to a PC. This port requires a bi-directional (IEEE 1284 compliant) parallel cable.
2. **USB** – For connection to a PC running Windows 98 or above (not Windows 95 upgraded to Windows 98) or Macintosh. This port requires a cable conforming to USB version 1.1 or above.
 - The operation of a printer is not assured if a USB compatible device is connected concurrently with other USB-compatible machines.
 - When connecting multiple printers of the same type, they appear as *****, ***** (2), ***** (3), etc. These numbers depend on the order of connecting or turning on each printer..

NOTE

Administrator's authority is required when installing a network connection.

3. Ethernet – For network cable connection. See your printed *Software Installation Guide* for information on:

- Making the interface connections
- Installing the printer drivers
- Installing network software.

Mac OS 8.6-9.2.2

Printer Driver

See your printed *Software Installation Guide* for information on installing printer drivers.

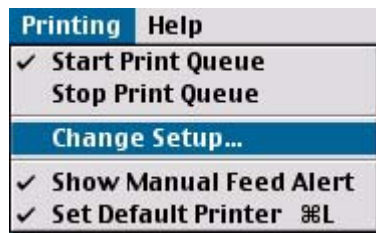
ADJUSTING PRINTER DRIVER OPTIONS

Certain options such as additional memory, the duplexer, or additional trays may be installed in your printer.

The printer driver(s) allows to enable/disable options. You most likely will only need to do this once.

To access the Printer Driver:

1. Select the **Destkop Printer** and leave highlighted.
2. From the **Menu**, click **Printing - Change Setup....**
3. Pressing the **Auto Setup** button will automatically access the printer and set the options for you. You can also manually alter each option, as explained below.



Change PostScript® Printer Description (PPD) File

The printer's correct settings are controlled by the PPD file. To change the Description file:

1. Select the **Destkop Printer** and leave highlighted.
2. From the **Menu**, click **Printing - Change Setup....**
3. Click **Change** and select from the list the desired file.

4. Click **Select** to activate the Description file.

Select a PostScript™ Printer Description File:

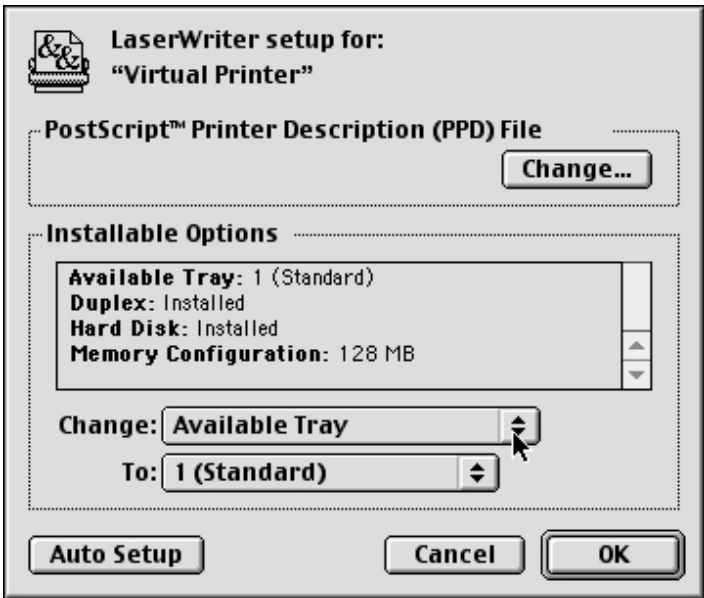


Printer Model:

Installable Options: Available Tray

If your printer utilizes more than one tray, select the appropriate number of trays with this option.

1. Select the **Desktop Printer** and leave highlighted.
2. From the **Menu**, click **Printing - Change Setup...**. The current setup appears under Installable Options. To manually alter the setup:
 - a. To the right of **Change**, click on the down arrow and select **Available Tray**.
 - b. To the right of **To**, click on the number of trays installed. For example, your printer might be installed with 2 trays, so you would select **2 (1 Optional Tray)**.

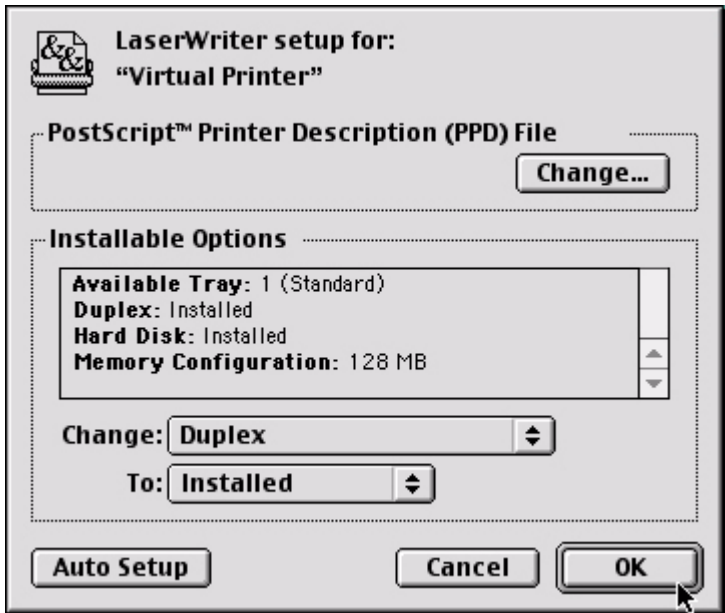


3. Click **OK** to save and exit.

Installable Options: Duplex

If your printer has a duplex unit installed, you activate it here.

1. Select the **Desktop Printer** and leave highlighted.
2. From the **Menu**, click **Printing - Change Setup....** The current setup appears under Installable Options. To manually alter the setup:
 - a. To the right of **Change**, click on the down arrow and select **Duplex**.
 - b. To the right of **To**, click **Installed** or **Not Installed** to enable. A check mark ✓ appears for the current selection.

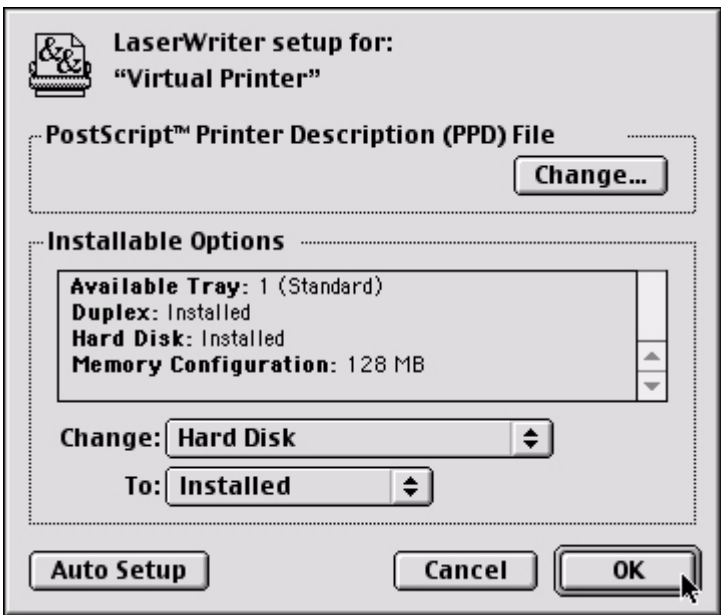


3. Click **OK** to save and exit.

Installable Options: Hard Disk

If your printer has a hard disk unit installed, you can activate here.

1. Select the **Desktop Printer** and leave highlighted.
2. From the **Menu**, click **Printing - Change Setup...**. The current setup appears under Installable Options. To manually alter the setup:
 - a. To the right of **Change**, click on the down arrow and select **Duplex**.
 - b. To the right of **To**, click **Installed** or **Not Installed** to enable. A check mark ✓ appears for the current selection.

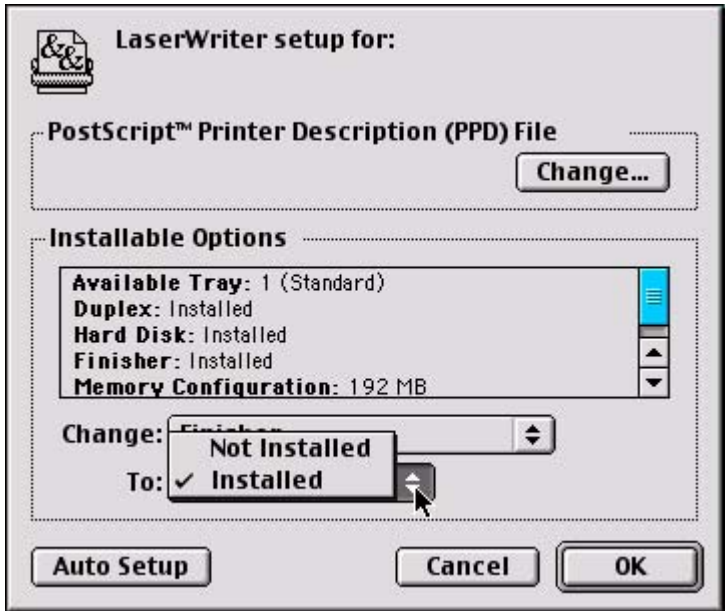


3. Click **OK** to save and exit.

Installable Options: Finisher

This setting allows you to enable or disable the Finisher.

1. Select the **Desktop Printer** and leave highlighted.
2. From the **Menu**, click **Printing - Change Setup....** The current setup appears under Installable Options. To manually alter the setup:
 - a. To the right of **Change**, click on the down arrow and select **Finisher**.
 - b. To the right of **To**, click **Installed** or **Not Installed** to enable. A check mark ✓ appears for the current selection.

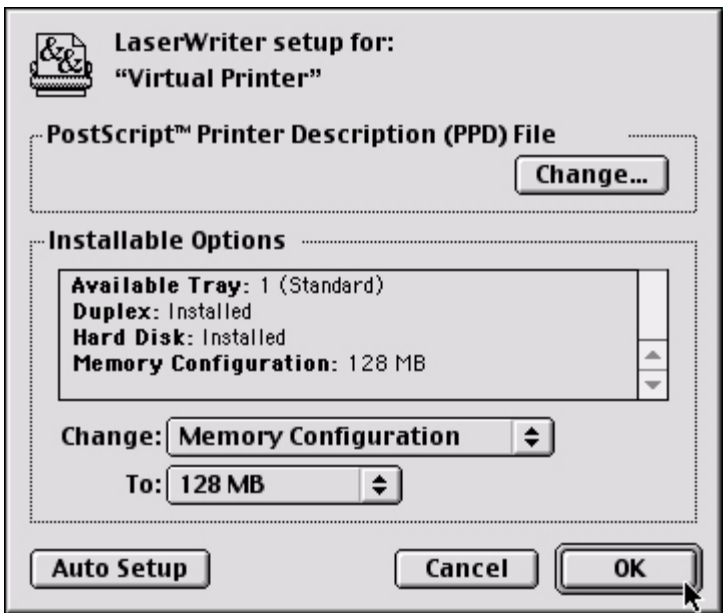


3. Click **OK** to save and exit.

Installable Options: Memory Configuration

This setting allows you to select the total amount of memory installed.

1. Select the **Desktop Printer** and leave highlighted.
2. From the **Menu**, click **Printing - Change Setup...**. The current setup appears under Installable Options. To manually alter the setup:
 - a. To the right of **Change**, click on the down arrow and select **Memory Configuration**.
 - b. To the right of **To**, select from the drop down list the correct amount of memory that is installed in the printer. A check mark ✓ appears for the current selection.



3. Click **OK** to save and exit.

Mac OS 8.6-9.2.2

Operation

This section explains how to change the printer's operation for specific print jobs when required and is accessed directly from within an application.

Most applications allow the printer properties to be accessed from within the document print dialogue.

This section will only detail options as they apply to the LaserWriter 8 driver. Refer to manufacturer's guidelines regarding other driver operations, for example the AdobePS driver.

COLOR PRINT MATCHING

The install utility provides a color matching profile for your printer, as well as **Color Option** utility in the print driver. In general, using the Auto settings will provide reasonable default settings that produce good results for most documents.

Many applications have their own color settings and these may override the settings in the printer driver. Please refer to the documentation for your software application for details on how that particular program's color management functions.

Factors that affect the appearance of prints

If you wish to manually adjust the color settings in your printer driver, please be aware that color reproduction is a complex topic, and there are many factors to take into consideration. Some of the most important factors are listed below.

Differences between the range of colors a monitor or printer can reproduce

- Neither a printer nor a monitor is capable of reproducing the full range of colors visible to the human eye. Each device is restricted to a certain range of colors. Additionally, a printer cannot reproduce all of the colors displayed on a monitor and vice versa.
- Both devices use very different technologies to represent color. A monitor uses Red, Green and Blue (RGB) phosphors (or LCDs), a printer uses Cyan, Magenta, Yellow, and Black (CMYK) toner or ink.
- A monitor can display very vivid colors such as intense reds and blues and these cannot be easily produced on any printer using toner or ink. Similarly, there are certain colors, (some yellows, for example), that can be printed, but cannot be displayed accurately on a monitor. This disparity between monitors and printers is often the main reason that printed colors do not match the colors displayed on screen.

Viewing conditions

A print can look very different under different lighting conditions. For example, the colors in a print may look different when viewed standing next to a sunlit window, compared to how they look under standard office fluorescent lighting.

Printer driver color settings

The driver settings for Manual color can change the appearance of a print. There are several options available to help match the printed colors with those displayed on screen. These options are explained in subsequent sections of the User Manual.

To access the color matching options in the driver discussed below:

1. Access the printer settings page via the Print dialog from any application (usually accessed via **File — Print**).
2. Click on the **General** drop down menu and select **Color Option**.

Monitor settings

The brightness and contrast controls on your monitor can change how your document looks on-screen. Additionally, your monitor color temperature influences how "warm" or "cool" the colors look.

NOTE

Several of the Color Matching options make reference to your monitor's Color Temperature. Many modern monitors allow the color temperature to be adjusted using the monitor's control panel.

There are several settings found on a typical monitor:

- **5000k or D50**

Warmest; yellowish lighting, typically used in graphics arts environments.

- **6500k or D65**

Cooler; approximates daylight conditions.

- **9300k**

Cool; the default setting for many monitors and television sets.

(k = degrees Kelvin, a measurement of temperature)

How your software application displays color

Some graphics applications such as Macromedia Freehand or Adobe Photoshop may display color differently from "office" applications such as Microsoft Word. Please see your application's online help or user manual for more information.

Paper type

The type of paper used can also significantly affect the printed color. For example, a printout on recycled paper can look duller than one on specially formulated glossy paper.

CHOOSING A COLOR MATCHING METHOD

There is no one correct way to achieve a good color match between the document displayed on your monitor, and its printed equivalent. There are many factors involved in achieving accurate and reproducible color.

However, the following guidelines may help in achieving good color output from your printer. There are several suggested methods, depending on the type of document you are printing.

NOTE

These suggestions are for guidance only. Your results may vary depending on the application from which you are printing. Some applications will override any color matching settings in the printer driver without warning.

RGB or CMYK?

The guidelines for choosing a color matching method makes distinctions between Red, Green, Blue (RGB) and Cyan, Magenta, Yellow, Black (CMYK).

Generally, most office documents you print will be in RGB format. This is the most common, and, if you do not know your document's color mode, assume that it is RGB.

Typically CMYK documents are only used in professional Desktop Publishing and Graphics applications.

Matching Photographic Images

RGB only

Oki's Color Matching (found in the printer driver under Color Matching) is a generally a good choice. Select a matching method appropriate to your monitor.

RGB or CMYK

If you are printing photographic images from a graphics application such as Adobe Photoshop, you may be able to use Soft-Proofing to simulate the printed image on your monitor. To do this, you can use the ICC-Profiles provided by Oki, and then print using the ICC profiles as the Print Space (or Output space).

Matching Specific Colors

(For instance, a Company logo.)

RGB only

- Oki Color Matching, and the sRGB setting.
- PostScript Color Matching using the Absolute Colorimetric option.
- Use the Color Swatch Utility to print out a chart of RGB swatches and enter your desired RGB values in your application's color picker.

RGB or CMYK

- If you are printing from a graphics application such as Adobe Photoshop, you may be able to use Soft-Proofing to simulate the printed image on your monitor. To do this, you can use the ICC-Profiles provided by Oki, and then print using the ICC profiles as the Print Space (or Output space).
- Alternatively, use PostScript Color Matching with the Absolute Colorimetric setting.

Printing Vivid Colors

RGB only

- Use Oki Color Matching, with either the Monitor 6500k Vivid, sRGB or Digital Camera settings.

RGB or CMYK

- Use PostScript Color Matching with the Saturation option.

DRIVER OPTIONS

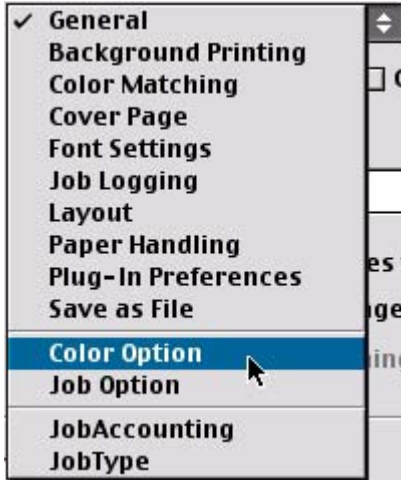
This section references only the OKI-supplied driver selections, **Color Option** and **Job Option**, as well as the plug-ins **Job Accounting** and **Job Type** - if available.

Color Option

The screenshot shows a dialog box titled "Color Option" with a version number "8.7.1" in the top right corner. The dialog is divided into several sections. At the top, there are two dropdown menus: "Printer:" and "Destination:" (set to "Printer"). Below these is a "Color Option" dropdown menu. The main area contains several settings: "Color Control:" set to "OKI Color Matching", "Color Setting:" set to "Monitor(6500K) - Auto", "Rendering:" set to "Auto", "Color Simulation:" set to "None", "Black Finish:" set to "Auto", "Separations:" set to "Off", and "Custom Gamma Adjustment:" set to "not specified". To the right of these settings, there is a checkbox for "Black Overprint" (unchecked) and a checked checkbox for "The Printer Halftone is always used". The text "PPD ver 1.8" is displayed in the top right of the main settings area. At the bottom of the dialog, there are three buttons: "Save Settings", "Cancel", and "Print".

1. To access Color Option, first select your desired OKI printer.

2. Then open the drop-down menu directly underneath the printer and select **Color Option**.



Color Control

The Color Control option allows you to determine the scheme in which the printer will display colors.



1. Select the option desired.

OKI Color Matching

This is OKI's proprietary color matching system and affects *RGB data only*. This is the default setting and provides the fastest, best color matching for your printer.

Postscript Color Matching

This uses PostScript Color Rendering Dictionaries built-in to the printer, and affects both RGB and CMYK data.

No Color Matching

No color correction occurs when selected. This option is beneficial when other matching regimens are used, specifically if you select a Color Simulation option.

Print In Grayscale

No color will print. The printer will interpret all colors as a variation of grays.

Color Setting

This option allows you to select your color settings as they appear on your monitor.

Select the option desired.



Monitor(6500k) Auto

The default setting that selects the best options for your printer. This selection works best for office situations.

Monitor (6500k) Perceptual

Optimized for printing photographs when using a monitor with a color temperature of 6500K, This is best for printing photographic images.

Monitor (6500k) Vivid

Optimized for printing bright colors when using a monitor with a color temperature of 6500K. Ideal for office graphics and text. Vivid or Digital Camera settings produce brightest colors.

Monitor (9300k)

Optimized for printing photographs when using a monitor with a color temperature of 6500K.

Digital Camera

Optimized for printing photographs taken with a digital camera. This tends to produce prints with lighter and brighter colors. For some photographs, other settings may be better depending on the subjects and the conditions under which they were taken. Vivid or Digital Camera settings produce brightest colors.

sRGB

Optimized for matching specific colors, such as a company logo color. This option attempts to simulate RGB color. The colors within the printer's color gamut are printed without any

modification, and only colors that fall outside the printable colors are modified.

Rendering

When a document is printed, a conversion takes place from the document's color space to the printer color space. The rendering intents are essentially a set of rules that determine how this color conversion takes place.

Select the option desired.



Auto

The best default select as this selects the optimal settings for a general office environment.

Perceptual

Best choice for printing photographs. Compresses the source gamut into the printer's gamut whilst maintaining the overall appearance of an image. This may change the overall appearance of an image as all the colors are shifted together.

Saturation

Best choice for printing bright & saturated colors if you don't necessarily care how accurate the colors are. This makes it the recommended choice for graphs, charts, diagrams etc. Maps fully saturated colors in the source gamut to fully saturated colors in the printer's gamut.

Relative Colorimetric

Good for proofing CMYK color images on a desktop printer. Much like Absolute Colorimetric, except that it scales the source white to the (usually) paper white; i.e. unlike Absolute Colorimetric, this attempts to take the paper white into account.

Absolute Colorimetric

Best for printing solid colors and tints, such as Company logos etc. Matches colors common to both devices exactly, and clips the out of gamut colors to their nearest printed equivalent. Tries to print white as it appears on screen. The white of a monitor is often very different from paper white, so this may result in color casts, especially in the lighter areas of an image.

Color Simulation

Affects **CMYK output only** and is usually used in offset printer environments only.



This option simulates what the output will look on a printing press using the ink types SWOP, Euroscale or Japan. If using CMYK Ink Simulation, it is recommended that you switch off all other Printer Color Matching by selecting the No Color Matching option under the Color Match option in the printer driver.

Select the option desired.

Black Finish

This setting determines Black Toner usage only.

Auto

This option is best for an office environment, with the printer determining which style is better.



Glossy

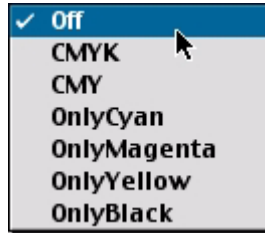
This option uses more CMYK and less Black while producing a shinier black.

Matte

This option uses more Black and less CMYK while producing a flatter black.

Separations

This option affects output only, allowing you to print all colors or separate plates.



Select the option desired.

NOTE

You must select a non-generic PostScript Printer Description (PPD) file for a printer that supports color separations.

Custom Gamma Adjustment

NOTE

This option requires the installation and use of the Storage Device Manager (SDM) utility. See the SDM section for further instructions.

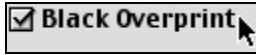
You will need to create a custom gamma profiles using the SDM before selecting one here.



Click on the arrows to select the profile required.

Black Overprint

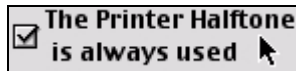
This option prevents registration errors and only works for 100% black text.



Click on the checkbox to enable the option.

Printer Halftone

This option prevents the halftone of a high-end graphics application from printing.



Click on the checkbox to enable the option.

Job Option

Printer: Destination: 8.7.1

PPD ver 1.8

Quality:

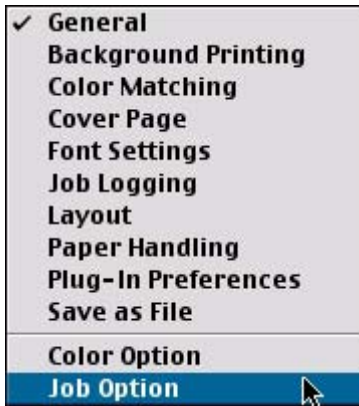
Media Type:

Collate Page Rotate

Media Check Toner Saving

MP tray is handled as manual feed

1. To access Job Option, first select your desired OKI printer.
2. Then open the drop-down menu directly underneath the printer and select **Job Option**.



Quality

A straightforward selection of the print quality desired.



- Fast: 600 x 600 dpi
- Fine: 1200 x 1200 dpi

Select your desired print quality.

Media Type

Many options are available for selecting the thickness of the paper type. Normally the Printer Setting is sufficient.



1. Select your desired Media Type. Any option, other than Printer Setting, will override the setting at the printer.

2. The following chart (also found in the Printer's Setup documentation) provides a guide for selection.

	Media weight	Feed		Exit		
		Tray 1	Tray 2/ Tray 3	MP Tray (Manual)	Rear (face up)	Top (face down)
Paper, US Bond (Metric)						
17 lb. (64 g/m ²)	Light	Simplex	Simplex	Simplex	Simplex	Simplex
18 to 19 lb. (68-71 g/m ²)	Medium light	Simplex	Simplex	Simplex	Simplex	Simplex
20 to 24 lb. (75-90 g/m ²)	Medium	Simplex/ Duplex	Simplex/ Duplex	Simplex	Simplex/ Duplex	Simplex/ Duplex
25 to 27 lb. (91-104 g/m ²)	Medium heavy	Simplex/ Duplex	Simplex/ Duplex	Simplex	Simplex/ Duplex	Simplex/ Duplex
28 to 32 lb. (105-122 g/m ²)	Heavy	*	*	Simplex	Simplex	Simplex
33 to 54 lb. (123-203 g/m ²)	Ultra heavy	*	*	Simplex	Simplex	*
Transparencies: Media Weight Ignored						
Set MediaType = Transparency	*	Simplex		Simplex	Simplex	*
Labels						
0.1 to 0.17 mm thick	Medium Heavy	*	*	Simplex	Simplex	*
0.17 to 0.2 mm thick	Ultra Heavy			Simplex	Simplex	
Heavy-Hi Sheen Finish	Heavy	*	*	Simplex	Simplex	*
*not applicable						

Job Option List

A list of options to modify the printer.

<input type="checkbox"/> Collate	<input type="checkbox"/> Page Rotate
<input checked="" type="checkbox"/> Media Check	<input type="checkbox"/> Toner Saving
<input type="checkbox"/> MP tray is handled as manual feed	

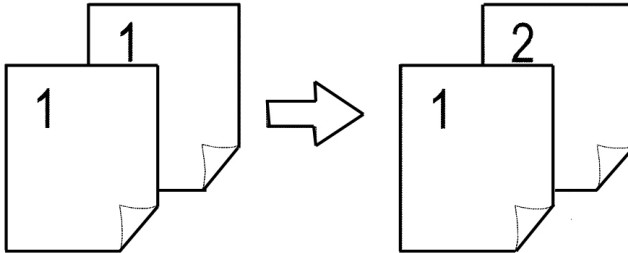
Collate

Collating can be carried out with or without a hard disk drive installed. However, printers with a hard disk drive will provide greater performance. This option is useful when printing multiple copies of large documents and wish for them to be printed in sequence.

NOTE

If your software application has a collate option, use it instead of the collate option in the printer driver.

Click to enable collation of your documents.



Media Check

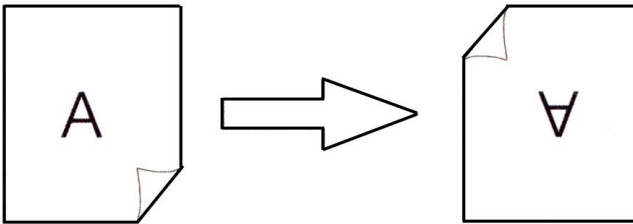
Sets whether the printer checks the matching of paper size to that of the tray. Only standard sizes are checked.

MP tray is handled as manual feed

Checking this will cause the MP tray to be used in manual feed situations. The MP tray *cannot* be used for duplex printing.

Page Rotate

Checking this will rotate the printed material on the page 180 degrees.



Toner Saving

Checking this will enable toner saving.

Job Type

This plug-in allows you to utilize the options of the built-in harddrive of the printer.

Printer: Destination:

JobType

Print Type : Normal Job Spool
 Secure
 Proof and Print
 Store to HDD

Job Name :

Personal ID Number :

Run maintenance cycle before printing

NOTES

- The internal hard disk must be installed in the printer and enabled to allow for spooling of the print job before final printing.
- If the hard disk memory is insufficient for the spooled data, **DISK FULL** is displayed and only one copy printed.
- If the software application being used has a collate print option, this must be turned OFF for secure printing to operate correctly.
- Secure printing may not be available in some software applications.

1. To access Job Type, first select your desired OKI printer.

2. Then open the drop-down menu directly underneath the printer and select **Job Type**.



Each option on the Job Type screen is detailed below.

Print Type

From here you will select your desired option.

Normal

This is the default setting for which no further action is required.

Job Spool

If you wish to spool your print job to the printer's hard drive, select **Job Spool**.

Secure Print Setup

This option allows you to print confidential documents on printers that are shared with other users in a network environment.

Printer: Destination:

JobType

Print Type : Normal Job Spool
 Secure
 Proof and Print
 Store to HDD

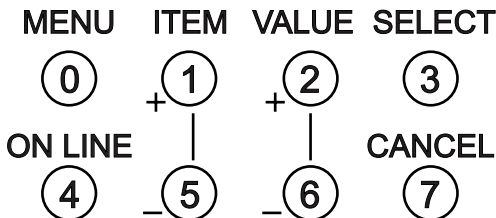
Job Name :

Personal ID Number :

Run maintenance cycle before printing

1. Select the **Secure** option.
2. Enter a job name of up to 16 characters next to **Job Name** and a four digit personal ID number in the **ID Number** box.
3. Press **Print** to proceed with your print job. The document will be stored on the printer's hard disk.
4. Walk up to the printer to print out the document using the front panel (see below).

Secure Printing at Printer



1. Press the MENU button to access the PRINT JOBS MENU and press the SELECT button.
2. Enter the personal ID number you set above using the buttons on the printer control panel.
3. Press the VALUE button until ALL JOBS or the required job name is displayed.
4. Press the SELECT button.

The document will print and be deleted from the hard disk drive.

Deleting the confidential document before printing it

1. Press the MENU button to access the **PRINT JOBS MENU** and press the SELECT button.
2. Enter the personal ID number you set above using the buttons on the printer control panel.
3. Press the VALUE button until **ALL JOBS** or the required job name is displayed.
4. Press the CANCEL button to delete the job from the printer.

Proof and Print

Proof and print allows printing of a single copy of a document for checking before printing multiple copies of the same document.

Printer: Destination: **Printer**

JobType

Print Type : Normal Job Spool
 Secure
 Proof and Print
 Store to HDD

Job Name :

Personal ID Number :

Run maintenance cycle before printing

Save Settings Cancel Print

NOTES

- The internal hard disk must be installed in the printer and enabled, to allow for spooling of the print job before final printing.
- If the hard disk memory is insufficient for the spooled data, **DISK FULL** is displayed and only one copy is printed.
- If the software application being used has a collate print option, it must be turned OFF for proof and print to operate correctly.
- Proof and print may not be available in some software applications.

1. Select **Proof and Print**.
2. Enter a job name of up to 16 characters under **Job Name Setting** and a four digit personal ID number.
3. Click **Print** to proceed with your print job. Print the document from the software application being used. The document will be stored on the printer's hard disk and one copy will print for your perusal.
4. After checking the proof, you then will print or delete (if incorrect) the remaining copies of the document using the procedures given below.

Printing copies from Proof and Print

1. Press the MENU button to access the **PRINT JOBS MENU**, then press the SELECT button.
2. Enter your personal ID number using the buttons on the printer control panel.
3. Press the VALUE button until **ALL JOBS** or the required job name is displayed.
4. Press the SELECT button to print the remaining copies of the document.

Deleting copies from Proof and Print

If the proof is not ready for printing, the job must be deleted from the printer:

1. Press the MENU button to access the **PRINT JOBS MENU** and press the SELECT button.
2. Enter your personal ID number using the buttons on the printer control panel.
3. Press the VALUE button until **ALL JOBS** or the required job name is displayed.
4. Press the **CANCEL** button to delete the remaining copies of the document.
5. When the deletion confirmation message appears, confirm by pressing the SELECT button.

Store To Hard Disk

Store to HDD (job spooling) allows print jobs to be temporarily stored on the hard disk before printing.

Printer: Destination:

JobType

Print Type : Normal Job Spool
 Secure
 Proof and Print
 Store to HDD

Job Name :

Personal ID Number :

Run maintenance cycle before printing

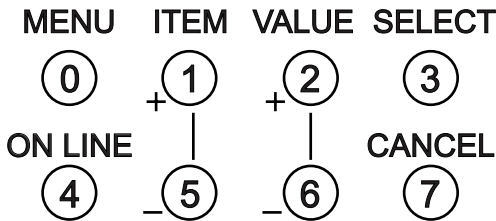
NOTES

- The internal hard disk must be installed in the printer and enabled to allow for spooling of the print job before final printing.
- If the hard disk memory is insufficient for the spooled data, DISK FULL is displayed and only one copy printed.
- If the software application being used has a collate print option, this must be turned OFF for store to hard disk to operate correctly.
- Store to hard disk may not be available in some software applications.

1. Select **Store to HDD**.
2. Enter a job name of up to 16 characters under **Job Name** and a four digit personal ID number.
3. Click **Print** to proceed with your print job. The document will be stored on the printer's hard disk.

- The document can then be printed or deleted using the procedures given below.

Printing copies



- Press the MENU button to access the **PRINT JOBS MENU** and press the SELECT button.
- Enter the personal ID number you selected above using the buttons on the printer control panel.
- Press the VALUE button until **ALL JOBS** or the required job name is displayed.
- Press the SELECT button to print the document.

Deleting the stored job from the hard disk drive

- Press the MENU button to access the **PRINT JOBS MENU** and press the SELECT button.
- Enter the personal ID number you selected above using the buttons on the printer control panel.
- Press the VALUE button until **ALL JOBS** or the required job name is displayed.
- Press the CANCEL button to delete the remaining copies of the document.
- When the deletion confirmation message appears, confirm by pressing the SELECT button.

Run Maintenance Cycle Before Printing

This option allows you to improve your print quality if you suspect there is a problem with printing, such as too much graininess in the print.

1. Select **Run Maintenance Cycle Before Printing** to force the printer to automatically clean itself before printing.

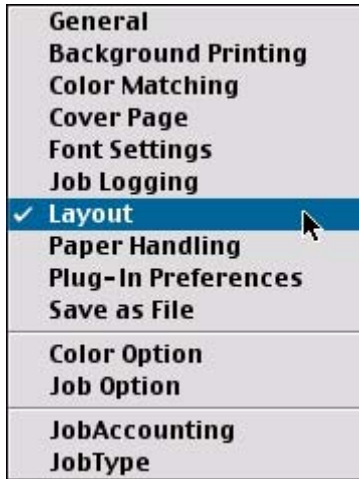
GENERAL PRINTING DIRECTIONS

What follows are descriptions of common printing issues common to the Macintosh environment. This section does not attempt to cover all the options that might occur, but rather, the typical printing operations that can benefit from detailed descriptions.

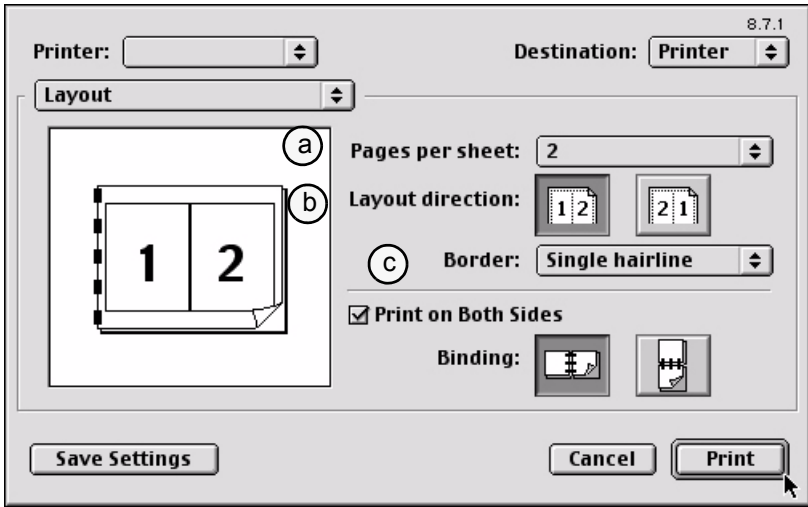
You can also refer to your Macintosh online help or manual for further information.

Multiple Pages on One Sheet

1. To access, first select your desired OKI printer.
2. Then open the drop-down menu directly underneath the printer and select **Layout**.



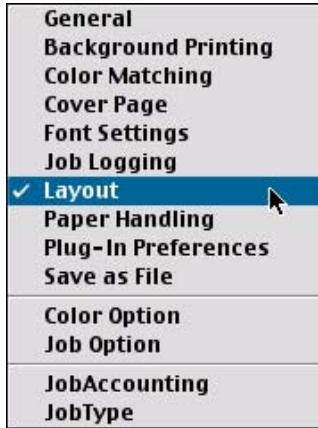
3. From the Layout screen, select the options desired.



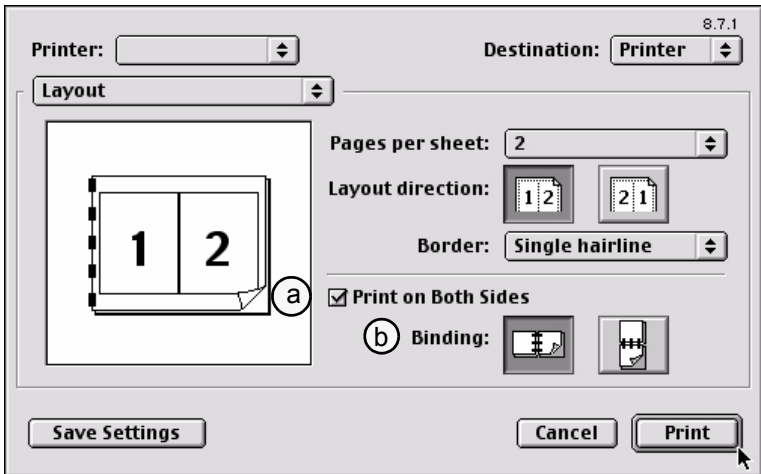
- a. For Multiple Pages, access **Pages per sheet**
 - b. Select the desired direction.
 - c. Select a border between the sheets, if desired.
4. Click **Print** to print or **Save Settings** to save and close the printer dialog box.

Duplex

1. To access, first select your desired OKI printer.
2. Then open the drop-down menu directly underneath the printer and select **Layout**.



3. From the Layout screen, select the options desired.



- a. For Duplexing (printing on both sides of the sheet), press the button for **Print on Both Sides**.

- b. Select which **Binding** you prefer. Normally, the first option is the default.

NOTE

Duplex printing can only be carried out on standard paper sizes and paper weights between 20 and 28 lb. (75 and 105 g/m²).

The optional duplex unit must be installed in the printer and enabled before duplex printing can be carried out.

Paper must be loaded into the paper tray with the print side facing upwards. The multi purpose tray cannot be used for duplex printing.

3. Click **Print** to print or **Save Settings** to save and close the printer dialog box.

Collating

Collating can be carried out with or without a hard disk drive installed. However, installing an HDD will achieve greater performance.

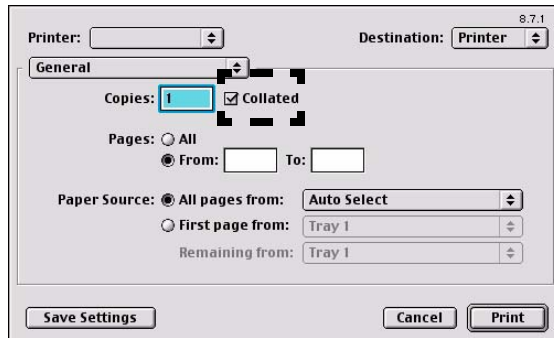
If the software application being used has a collate print option, it is recommended to use only one collate option to prevent any conflicts in printing, i.e. collate from the software application or collate from the printer driver.

The following instructions explain how to select collating using a printer driver.

1. To access, first select your desired OKI printer.
2. The **General** dialog box should already be displayed. If not, then select **General** from the menu.



3. From the General screen, click the button next to Collate to enable the function.



Mac OS 10.1.5

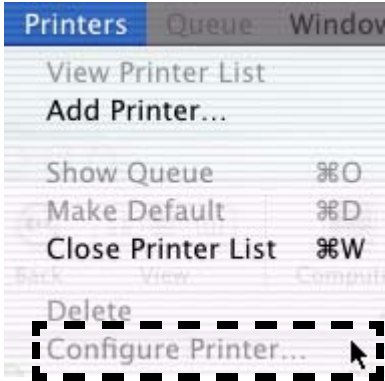
Printer Drivers

See your printed *Software Installation Guide* for information on installing printer drivers.

You can also go to <http://my.okidata.com> to see/download a copy of the *Software Installation Guide* or for the latest information on printer drivers.

ADJUSTING OPTIONS

Apple Computer has not enabled **Configure Printer...** as of release OS 10.1.5. Therefore, direct configuration of the printer driver is unavailable at this time.



Mac OS 10.1.5

Operation

This section explains how to change the printer's operation for specific print jobs when required and is accessed directly from within an application.

Most applications allow the printer properties to be accessed from within the document print dialogue.

This section will only detail options as they apply to the OKI printer driver. Refer to manufacturer's guidelines regarding other driver operations.

COLOR PRINT MATCHING

The install utility provides a color profile for your printer. In general, using the OKI Color Matching settings will provide reasonable default settings that produce good results for most documents.

Many applications have their own color settings and these may override the settings in the printer driver. Please refer to the documentation for your software application for details on how that particular program's color management functions.

Factors that affect the appearance of prints

If you wish to manually adjust the color settings in your printer driver, please be aware that color reproduction is a complex topic, and there are many factors to take into consideration. Some of the most important factors are listed below.

Differences between the range of colors a monitor or printer can reproduce

- Neither a printer nor a monitor is capable of reproducing the full range of colors visible to the human eye. Each device is restricted to a certain range of colors. Additionally, a printer cannot reproduce all of the colors displayed on a monitor and vice versa.
- Both devices use very different technologies to represent color. A monitor uses Red, Green and Blue (RGB) phosphors (or LCDs), a printer uses Cyan, Magenta, Yellow, and Black (CMYK) toner or ink.
- A monitor can display very vivid colors such as intense reds and blues and these cannot be easily produced on any printer using toner or ink. Similarly, there are certain colors, (some yellows, for example), that can be printed, but cannot be displayed accurately on a monitor. This disparity between monitors and printers is often the main reason that printed colors do not match the colors displayed on screen.

Viewing conditions

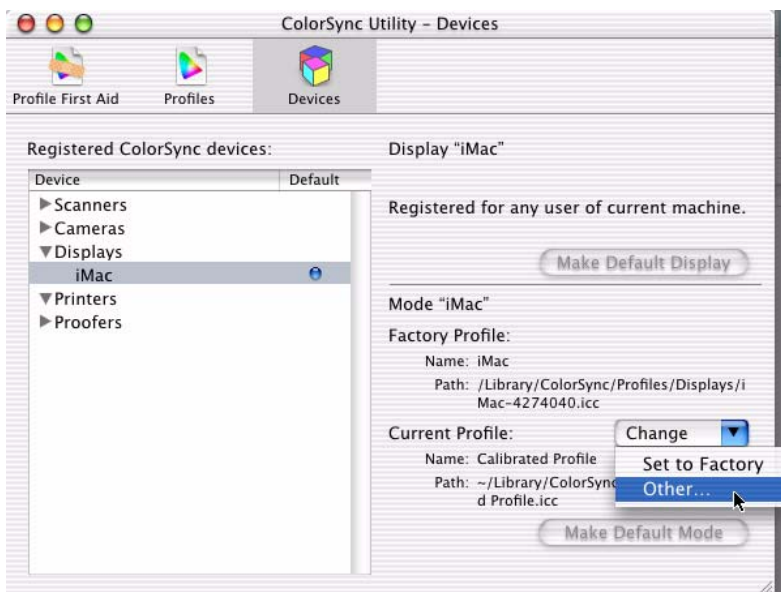
A print can look very different under different lighting conditions. For example, the colors in a print may look different when viewed

standing next to a sunlit window, compared to how they look under standard office fluorescent lighting.

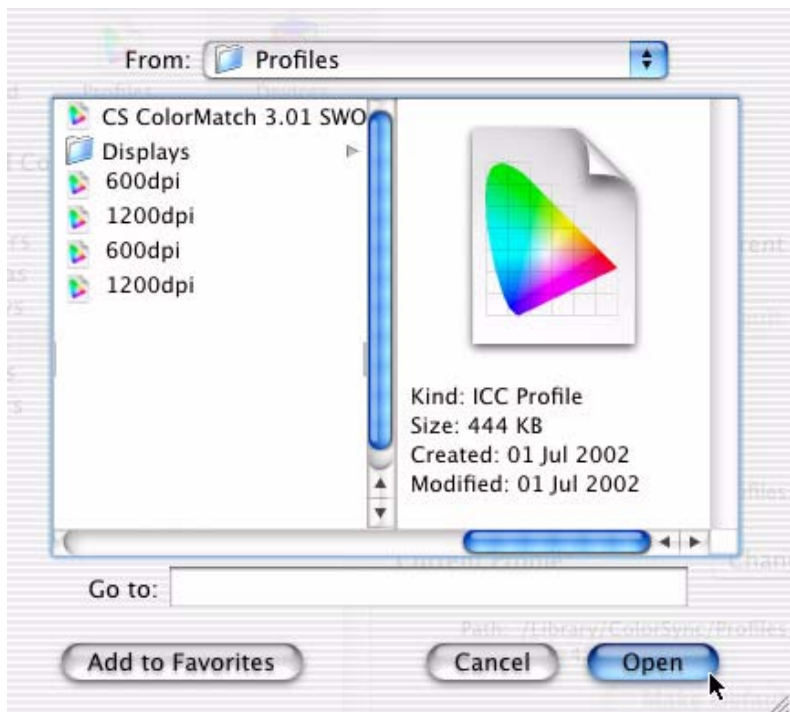
Monitor Color Profile Select

Apple provides a **ColorSync Utility — Devices** that allows selection of the OKI supplied ICC color profile for your monitor. The profile will attempt to calibrate the monitor to more closely match the printer's output. However, merely selecting the profile will not automatically produce perfect results as many factors will contribute to the gamut of color selection.

1. Navigate to the utility by accessing your **Local Hard Drive — Applications — Utilities — ColorSync Utility**.
2. Click the arrow next to **Displays** and select your monitor (in this example it is iMac). In the **Current Profile** area click the **down arrow** and select **Other...** to access the OKI Color Profile.



- From the Profile selection menu, find and click on the desired ICC Profile (in this example the ES3037e 1200dpi) and then press **Open** to enable.



Color Profile Select

Not to be confused with the **ColorSync Utility — Devices**, Apple also provides a System Preference utility, **ColorSync**, for selection of color profiles for the printer and documents.

1. Navigate to the utility by accessing your **System Preferences — ColorSync**.
2. On the first tab, **Device Profiles**, select your **Output** profile by pressing the double arrows, select **Other Profile** and highlight the profile desired.
3. On the second tab, **Document Profiles**, for the CMYK Default option, press the double arrows and highlight the profile desired.

Printer driver color settings

The driver settings for Manual color can change the appearance of a print. There are several options available to help match the printed colors with those displayed on screen. These options are explained in subsequent sections of the User Manual.

To access the color matching options in the driver discussed below:

1. Access the printer settings page via the Print dialog from any application (usually accessed via **File — Print**).
2. Click on the drop down menu and select **Printer Features** and then select the **Features 2** tab for **Color Control**.

Monitor settings

The brightness and contrast controls on your monitor can change how your document looks on-screen. You can calibrate your monitor's color regimen in **System Preferences — Displays —**

Color. Additionally, your monitor color temperature influences how "warm" or "cool" the colors look.

NOTE

Several of the Color Matching options make reference to your monitor's Color Temperature. Many modern monitors allow the color temperature to be adjusted using the monitor's control panel.

There are several settings found on a typical monitor:

- **5000k or D50**

Warmest; yellowish lighting, typically used in graphics arts environments.

- **6500k or D65**

Cooler; approximates daylight conditions.

- **9300k**

Cool; the default setting for many monitors and television sets.

k = degrees Kelvin, a measurement of temperature

How your software application displays color

Some graphics applications such as Macromedia Freehand or Adobe Photoshop may display color differently from "office" applications such as Microsoft Word. Please see your application's online help or user manual for more information.

Paper type

The type of paper used can also significantly affect the printed color. For example, a printout on recycled paper can look duller than one on specially formulated glossy paper.

CHOOSING A COLOR MATCHING METHOD

There is no one correct way to achieve a good color match between the document displayed on your monitor, and its printed equivalent. There are many factors involved in achieving accurate and reproducible color.

However, the following guidelines may help in achieving good color output from your printer. There are several suggested methods, depending on the type of document you are printing.

NOTE

These suggestions are for guidance only. Your results may vary depending on the application from which you are printing. Some applications will override any color matching settings in the printer driver without warning.

RGB or CMYK?

The guidelines for choosing a color matching method makes distinctions between Red, Green, Blue (RGB) and Cyan, Magenta, Yellow, Black (CMYK).

Generally, most office documents you print will be in RGB format. This is the most common, and, if you do not know your document's color mode, assume that it is RGB.

Typically CMYK documents are only used in professional Desktop Publishing and Graphics applications.

Matching Photographic Images

RGB only

OKI's Color Matching (found in the printer driver under **Printer Features — Features 2**) is a generally a good choice. Select a matching method appropriate to your monitor.

RGB or CMYK

If you are printing photographic images from a graphics application such as Adobe Photoshop, you may be able to use Soft-Proofing to simulate the printed image on your monitor. To do this, you can use the ICC-Profiles provided by OKI, and then print using the ICC profiles as the Print Space (or Output space).

Matching Specific Colors

For instance, a Company logo.

RGB only

- OKI Color Matching, and the sRGB setting.
- PostScript Color Matching using the Absolute Colorimetric option.

RGB or CMYK

- If you are printing from a graphics application such as Adobe Photoshop, you may be able to use Soft-Proofing to simulate the printed image on your monitor. To do this, you can use the ICC-Profiles provided by OKI, and then print using the ICC profiles as the Print Space (or Output space).
- Alternatively, use PostScript Color Matching with the Absolute Colorimetric setting.

Printing Vivid Colors

RGB only

- Use OKIOKI Color Matching, with either the Monitor 6500k Vivid, sRGB or Digital Camera settings.

RGB or CMYK

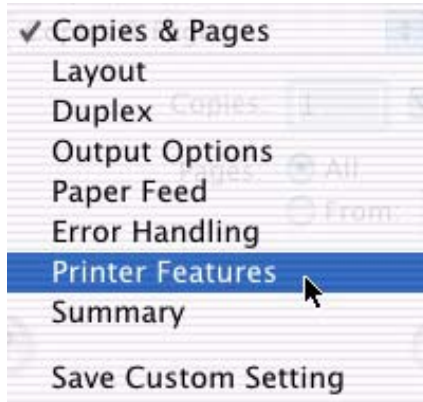
- Use PostScript Color Matching with the Saturation option.

DRIVER OPTIONS

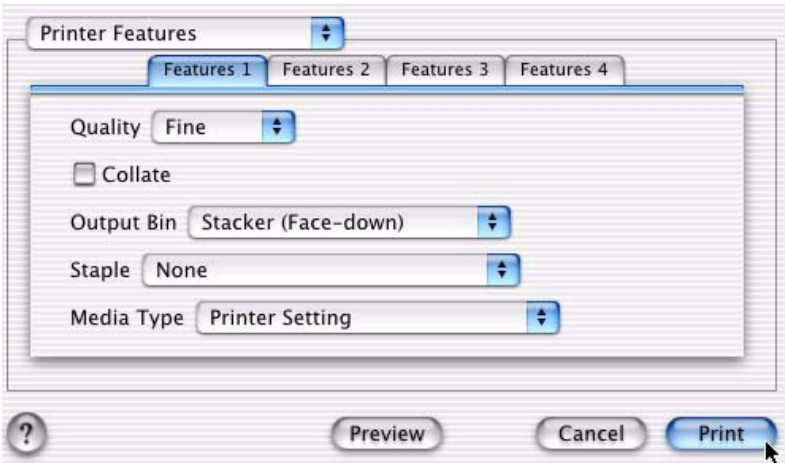
This section references only the OKI-supplied driver selections, **Printer Features**.

OKI Printer Features

1. Open your printer driver (by choosing **File — Print** from an application) and select your desired OKI printer.
2. Then open the drop-down menu at left and select **Printer Features** to access **Features 1**.



Features 1



The tab's features are explained below.

Quality

A straightforward selection of the print quality desired.



- Fast: 600 x 600 dpi
- Fine: 1200 x 1200 dpi

1. Select your desired print quality.

Collate

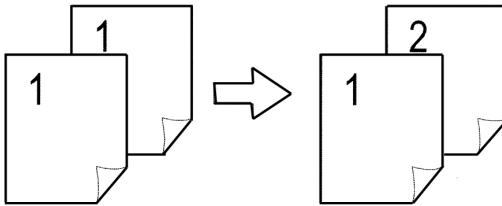
Collating can be carried out with or without a hard disk drive installed. However, printers with a hard disk drive will provide greater performance. This option is useful when printing multiple copies of large documents and wish for them to be printed in sequence.



NOTE

If your software application has a collate option, use it instead of the collate option in the printer driver.

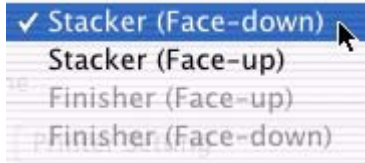
1. Click to enable collation of your documents.



Output Bin

The Output Bin option gives you the control to choose the destination position and finishing possibilities of the print out. For a more detailed description of these options, refer to the Finisher User's Guide.

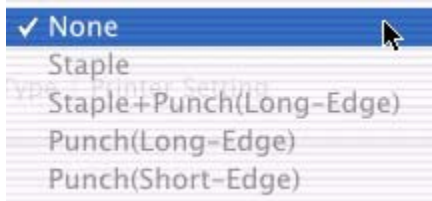
- Stacker (Face-down): output to the top in normal order.
- Stacker (Face-up): output to the side in reverse order.
- Finisher (Face-up): output to the upper stacker of the Finisher.
- Finisher (Face-down): output to the lower stacker of the Finisher.



1. Select your desired option.

Staple

This option, if installed, allows you to choose the appropriate Stapling/Punch option.



1. Select your desired option.

Media Type

Many options are available for selecting the thickness of the paper type. Normally the **Printer Setting** is sufficient.

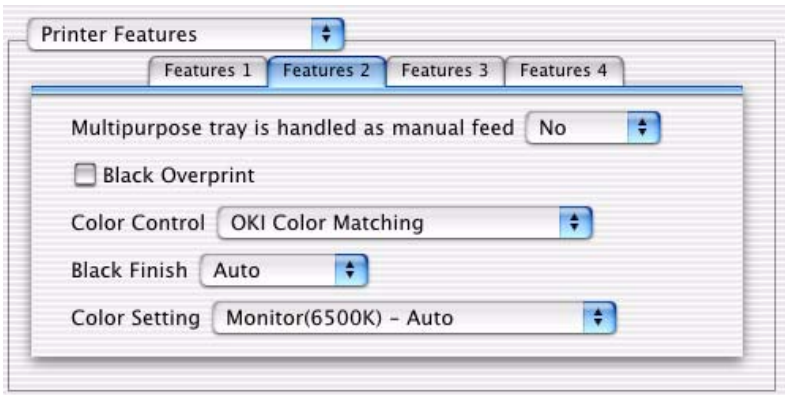


1. Select your desired Media Type. Any option, other than Printer Setting, will override the setting at the printer.

2. The following chart (also found in the Printer's Setup documentation) provides a guide for selection.

	Media weight	Feed		Exit		
		Tray 1	Tray 2/ Tray 3	MP Tray (Manual)	Rear (face up)	Top (face down)
Paper, US Bond (Metric)						
17 lb. (64 g/m ²)	Light	Simplex	Simplex	Simplex	Simplex	Simplex
18 to 19 lb. (68-71 g/m ²)	Medium light	Simplex	Simplex	Simplex	Simplex	Simplex
20 to 24 lb. (75-90 g/m ²)	Medium	Simplex/ Duplex	Simplex/ Duplex	Simplex	Simplex/ Duplex	Simplex/ Duplex
25 to 27 lb. (91-104 g/m ²)	Medium heavy	Simplex/ Duplex	Simplex/ Duplex	Simplex	Simplex/ Duplex	Simplex/ Duplex
28 to 32 lb. (105-122 g/m ²)	Heavy	*	*	Simplex	Simplex	Simplex
33 to 54 lb. (123-203 g/m ²)	Ultra heavy	*	*	Simplex	Simplex	*
Transparencies: Media Weight Ignored						
Set MediaType = Transparency	*	Simplex		Simplex	Simplex	*
Labels						
0.1 to 0.17 mm thick	Medium Heavy	*	*	Simplex	Simplex	*
0.17 to 0.2 mm thick	Ultra Heavy			Simplex	Simplex	
Heavy-Hi Sheen Finish	Heavy	*	*	Simplex	Simplex	*
*not applicable						

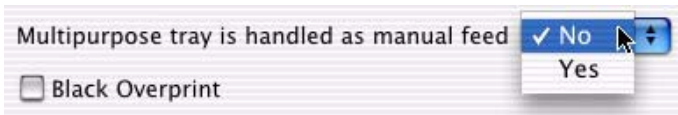
Features 2



The tab's features are explained below.

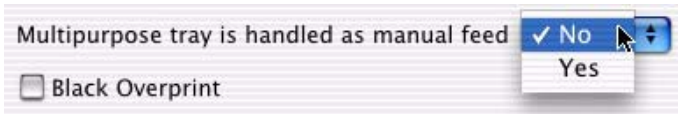
MP tray is handled as manual feed

Select the option desired — the default is No. The MP tray *cannot* be used for duplex printing.



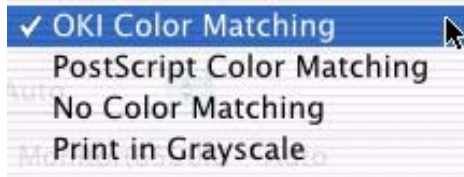
Black Overprint

This option prevents registration errors and only works for 100% black text.



1. Click on the checkbox to enable the option.

Color Control



OKI Color Matching

This is OKI's proprietary color matching system and affects *RGB data only*. This is the default setting and provides the fastest, best color matching for your printer.

Postscript Color Matching

This uses PostScript Color Rendering Dictionaries built-in to the printer, and affects both RGB and CMYK data.

No Color Matching

No color correction occurs when selected. This option is beneficial when other matching regimens are used, specifically if you select a Color Simulation option.

Print In Grayscale

No color will print. The printer will interpret all colors as a variation of grays.

Black Finish

This setting determines Black Toner usage only.



Auto

This option is best for an office environment, with the printer determining which style is better.

Glossy

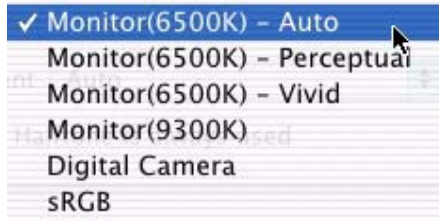
This option uses more CMYK and less Black while producing a shinier black.

Matte

This option uses more Black and less CMYK while producing a flatter black.

Color Setting

This option allows you to select your color settings as they appear on your monitor.



Select the option desired based upon the information below.

Monitor(6500k) Auto

The default setting that selects the best options for your printer. This selection works best for office situations.

Monitor (6500k) Perceptual

Optimized for printing photographs when using a monitor with a color temperature of 6500K. This is best for printing photographic images.

Monitor (6500k) Vivid

Optimized for printing bright colors when using a monitor with a color temperature of 6500K. Ideal for office graphics and text. Vivid or Digital Camera settings produce brightest colors.

Monitor (9300k)

Optimized for printing photographs when using a monitor with a color temperature of 6500K.

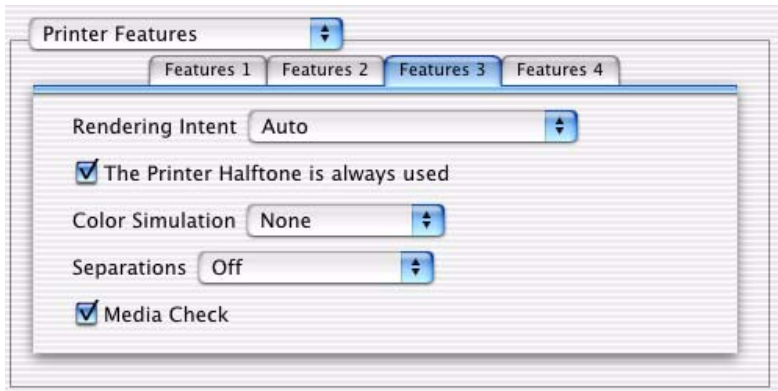
Digital Camera

Optimized for printing photographs taken with a digital camera. This tends to produce prints with lighter and brighter colors. For some photographs, other settings may be better depending on the subjects and the conditions under which they were taken. Vivid or Digital Camera settings produce brightest colors.

sRGB

Optimized for matching specific colors, such as a company logo color. This option attempts to simulate RGB color. The colors within the printer's color gamut are printed without any modification, and only colors that fall outside the printable colors are modified.

Features 3

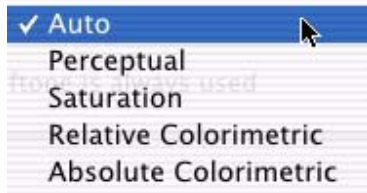


The tab's features are explained below.

Rendering Intent

When a document is printed, a conversion takes place from the document's color space to the printer color space. The rendering intents are essentially a set of rules that determine how this color conversion takes place.

Select the option desired.



Auto

The best default select as this selects the optimal settings for a general office environment.

Perceptual

Best choice for printing photographs. Compresses the source gamut into the printer's gamut while maintaining the overall appearance of an image. This may change the overall appearance of an image as all the colors are shifted together.

Saturation

Best choice for printing bright & saturated colors if you don't necessarily care how accurate the colors are. This makes it the recommended choice for graphs, charts, diagrams etc. Maps fully saturated colors in the source gamut to fully saturated colors in the printer's gamut.

Relative Colorimetric

Good for proofing CMYK color images on a desktop printer. Much like Absolute Colorimetric, except that it scales the source white to the (usually) paper white; i.e. unlike Absolute Colorimetric, this attempts to take the paper white into account.

Absolute Colorimetric

Best for printing solid colors and tints, such as Company logos etc. Matches colors common to both devices exactly, and clips the out of gamut colors to their nearest printed equivalent. Tries to print white as it appears on screen. The white of a monitor is often very different from paper white, so this may result in color casts, especially in the lighter areas of an image.

Printer Halftone

This option prevents the halftone of a high-end graphic application from printing.



Click on the checkbox to enable the option.

Color Simulation

Affects **CMYK output only** and is usually used in offset printer environments only.



This option simulates what the output will look on a printing press using the ink types SWOP, Euroscale or Japan. If using CMYK Ink Simulation, it is recommended that you switch off all other Printer Color Matching by selecting the No Color Matching option under the Color Match option in the printer driver.

Select the option desired.

Separations

This option affects output only, allowing you to print all colors or separate plates.



Select the option desired.

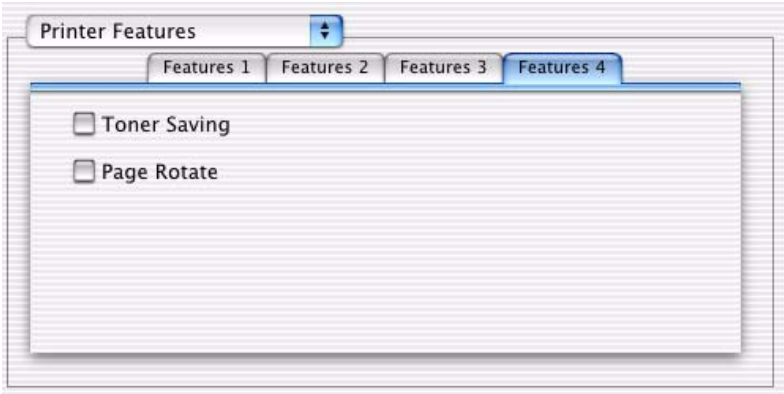
NOTE

You must select a non-generic PostScript Printer Description (PPD) file for a printer that supports color separations.

Media Check

Sets whether the printer checks the matching of paper size to that of the tray. Only standard sizes are checked.

Features 4

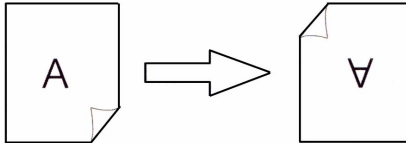


Toner Saving

Checking this will enable toner saving but reduce print quality.

Page Rotate

Checking this will rotate the printed material on the page 180 degrees.



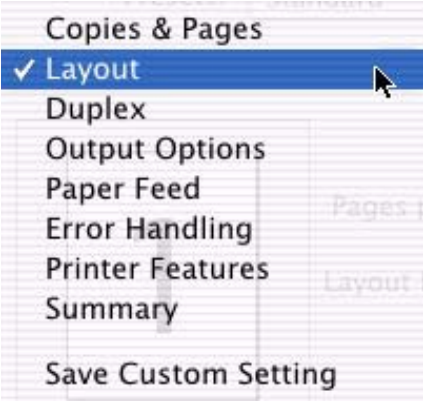
GENERAL PRINTING DIRECTIONS

What follows are descriptions of common printing issues common to the Macintosh environment. This section does not attempt to cover all the options that might occur, but rather, the typical printing operations that can benefit from detailed descriptions.

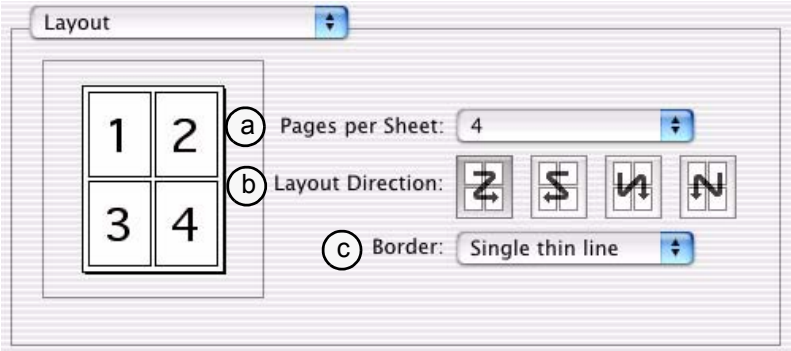
You can also refer to your Macintosh online help or manual for further information.

Multiple Pages on One Sheet

1. Open your printer driver (by choosing **File — Print** from an application) and select your desired OKI printer.
2. Then open the drop-down menu at left and select **Layout**.



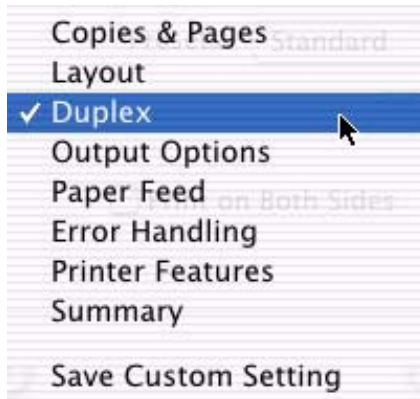
3. From the Layout screen, select the options desired.



- a. For Multiple Pages, access **Pages per sheet**
- b. Select the desired **Layout Direction**.
- c. Select a **Border** between the sheets, if desired.

Duplex

1. Open your printer driver (by choosing **File — Print** from an application) and select your desired OKI printer.
2. Then open the drop-down menu at left and select **Duplex**.



3. From the **Duplex** screen, select the options desired.



- a. For Duplexing (printing on both sides of the sheet), select **Print on Both Sides**.

- b. Select which **Binding** you prefer. Normally, the first option is the default.

NOTES

- **Duplex printing can only be carried out on standard paper sizes and paper weights between 20 and 28 lb. (75 and 105 g/m²).**
- **The optional duplex unit must be installed in the printer and enabled before duplex printing can be carried out.**
- **Paper must be loaded into the paper tray with the print side facing upwards. The multi purpose tray cannot be used for duplex printing.**

Collating

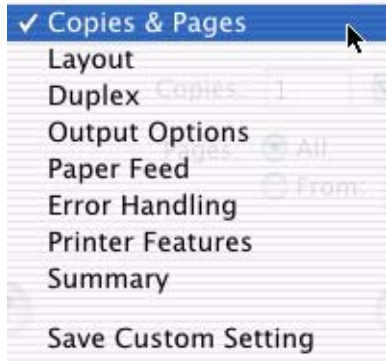
Collating can be carried out with or without a hard disk drive installed. However, fitting a HDD will achieve greater performance.

If the software application being used has a collate print option, it is recommended to use only one collate option to prevent any conflicts in printing, i.e. collate from the software application or collate from the printer driver.

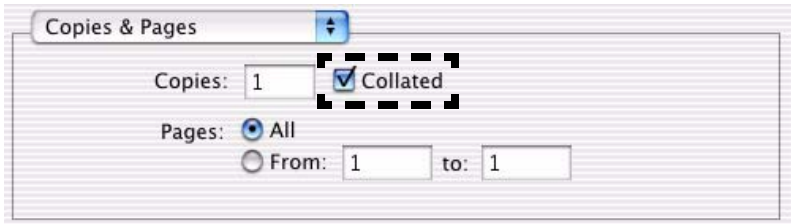
The following instructions explain how to select collating using a printer driver.

1. Open your printer driver (by choosing **File — Print** from an application) and select your desired OKI printer.

2. The **Copies & Pages** dialog box should already be displayed. If not, then select **Copies & Pages** from the menu.



3. From the General screen, click the button next to **Collate** to enable the function.



Mac OS 8.6-9.2.2 Utilities

This section explains how to install and use the included utilities supplied.

Important!

These Utilities are unavailable for Mac OS 10.1.5.

- Storage Device Manager
- Fonts Downloader
- OKI Swatch Utility
- OkiNet Utility for Macintosh

GENERAL INFORMATION

Storage Device Manager

Using the software improves the internal performance of the printer allowing you to adjust printer options, such as paper tray and printing timeout settings.

Important!

The printer's internal hard drive does not communicate directly back to the Storage Device Manager software; it sends any error messages to the printer display. If things seems to be "stuck," check the display of the printer.

Fonts Downloader

This utility allows you to transfer fonts to the printer's RAM or hard disk and to manage fonts on your PostScript printer. This utility is an Adobe product. Please read the Read Me file for further information.

Important!

These two utilities will only communicate with the printer via AppleTalk and is incompatible with USB connections.

Color Swatch Utility

This utility enables you to print samples of colors on your OKI printer. The printed color samples (Swatches) allow you to select colors for printing in the same manner as you would to choose paint chips to pick the right color for your home. Each swatch is identified with information your software package needs to reproduce that color accurately.

Things To Remember:

- Your software may not be able to match colors using the information provided by the swatch files. In that case, you may need to use other means of matching.
- Many other factors influence how you see color: the color and finish of the paper, the light you are using, even the colors surrounding the one you are identifying.

OkiNet Utility for Macintosh

This utility allows adjusting some of the parameters of a printer, such as the Zone and Name of the OKI printer on a network.

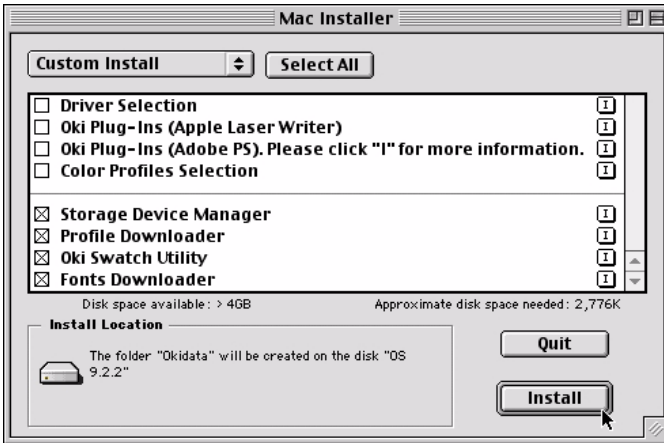
INSTALLATION PROCEDURES

The OKI CD supplied with the printer provides the necessary installation software.

1. Insert the CD into the CD-ROM drive.
2. Double-click the OKI CD icon that appears on the desktop.
3. Open the **MAC** folder and open the following folders: **Mac — PSDRV — English** and double click the **Mac Installer** icon to open and run. Click **Continue**.



4. Select **Custom Install** to access the Utility Installation.



5. Click in the boxes on the left hand side of the Utilities you wish to install and click the **Install** button to complete. This will install the Utilities into the folder specified during installation process.

STORAGE DEVICE MANAGER OPERATION

Important!

- When attempting to open the application, ensure that the default printer is connected and turned on.
- If your default printer is a virtual printer, the application will return the error message “This utility does not support this interface.” Re-set your default printer to a real printer.

Open SDM

1. Access the Storage Device Manager (SDM) program by accessing **Local Hard Drive — Okidata — SDM for Mac**. From the main screen, you can adjust basic options.



Printer Name

Displays the currently selected printer name (if AppleTalk-connected) or desktop printer name (if USB-connected).

Save button

1. Clicking this button will prompt converting the settings in this dialog box to PS commands and send them to change the printer settings.
2. This button is grayed out and disabled if no change has been made to the settings in this dialog box.

Undo button

1. Clicking this button will restore the settings in the dialog box effective before any changes that may have been made.
2. This button is grayed out and disabled if no change has been made to the settings in this dialog box.

Option button

1. Clicking this button will prompt displaying the Option dialog box where the printer options can be set. For further description, see SDM Options below.
2. Closing the Option dialog box will prompt returning to the Main dialog box.

Help button

1. Clicking this button will prompt displaying the Help dialog box covering the items in this Main dialog box.

The following items depend on the printer models.

Paper Tray

Selects the location of paper for your printer. The trays that are not installed are grayed out and disabled.

Paper Size

Selects the size of paper for each tray. The currently selected paper is displayed.

Paper Size/Legal Paper Size

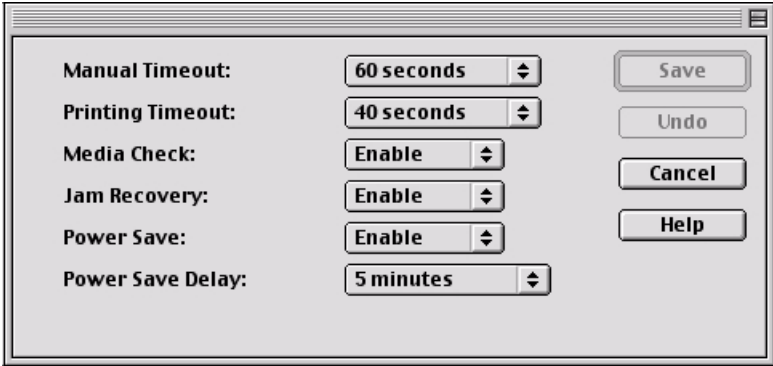
Sets the sizes of paper that are too similar to be automatically recognized by your printer.

Auto Tray Switch

Sets automatic tray switch.

SDM Options

1. There are other parameters unique to the SDM available by pressing the **Options...** button.



2. For each option, click on the drop-down arrows to select your choice.

Manual Timeout

This parameter sets the period of time, that after requesting paper to be inserted and is not inserted, when the print job is cancelled.

Printing Timeout

This parameter determines how long the the printer waits for paper to be inserted after a request. After that interval, the job is cancelled.

Media Check

Sets whether the printer checks the matching of paper size to that of the tray. Only standard sizes are checked.

Jam Recovery

This parameter, when enabled, sets whether or not printing will continue after a paper jam has been cleared. If set to **Disable**, the print job that was being printed when the paper jam occurred will be cancelled after clearing the paper jam. When set to **Enable**, the print job will continue after the jam has been cleared.

Power Save

This will enable **Power Save Delay**.

Power Save Delay

When no input is received for the specified time, the printer will enter Power Save Mode.

SDM Menu Items

Not all menu items are available for the SDM.

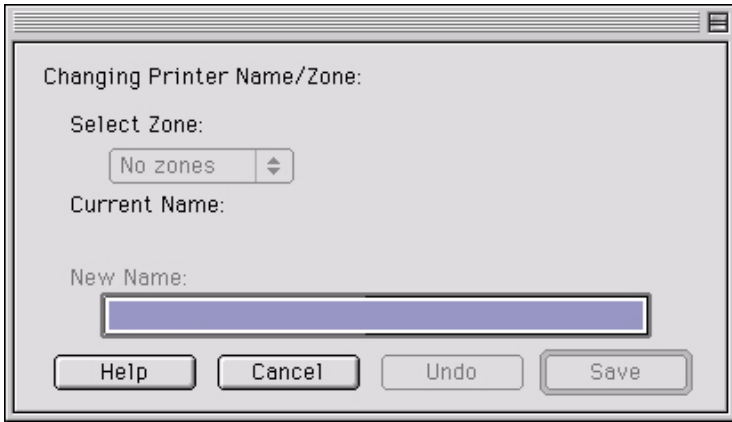
File Menu

Menu Item	Value	Description
REFRESH	EXECUTE	Downloads the latest settings from the printer.
UPDATE PPD	EXECUTE	Loads the latest PPD file.

Utilities Menu

Menu Item	Value	Description
CHANGE PRINTER NAME/ZONE	EXECUTE	Only available if printer is on an AppleTalk network.
DOWNLOAD FILE	EXECUTE	Allows a file to be loaded into the printer.
DISPLAY FONT LIST	EXECUTE	Displays the current font list loaded into the printer.
INITIALISE DISK	EXECUTE	This will erase the hard drive and cause the printer to rebuild the directory structures automatically.
SUBSTITUTE FONTS	EXECUTE	Unavailable - This function is not supported for a non-kanji printer.
PS GAMMA ADJUSTER	Opens Adjuster window	Allows the creation and loading of Gamma Adjustment Profiles.

Change Printer Name/Zone



This will change the name that is stored in the PostScript interpreter in the printer. However, this will not change the name displayed in the Chooser - only the OkiNet utility has that ability.

1. Access the function from the **Utilities** menu.
2. If available, choose the **Zone** required.
3. Rename the printer with the desired name and press **Save**.

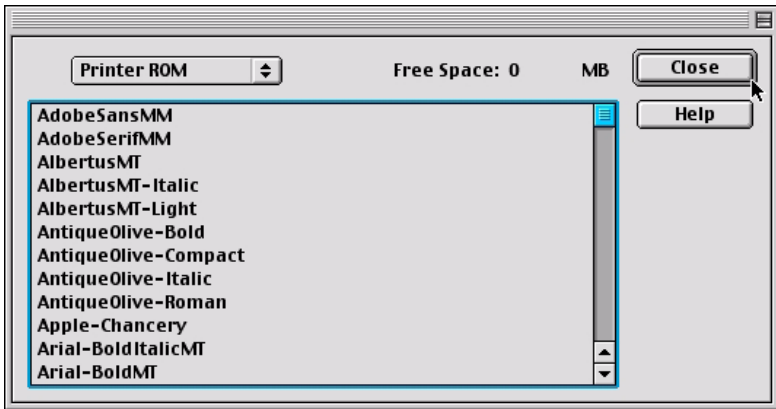
Download File



This utility allows you to download to the printer's hard drive PS/PDF/Font files for faster printing. The printer will automatically print the PS/PDF files unless they are specified to be stored in the hard disk.

1. After selecting **Download File** from the Utilities menu, select the file you wish to load into the printer.
2. If you wish to empty the hard drive, use the **Initialise Disk** function. Remember that this will erase the entire disk and the printer will automatically rebuild it.

Display Font List



1. To identify the fonts already loaded into the printer, select **Display Font List** from the **Utilities** menu.
2. Press **Close** to return to the main screen.

Initialise Disk



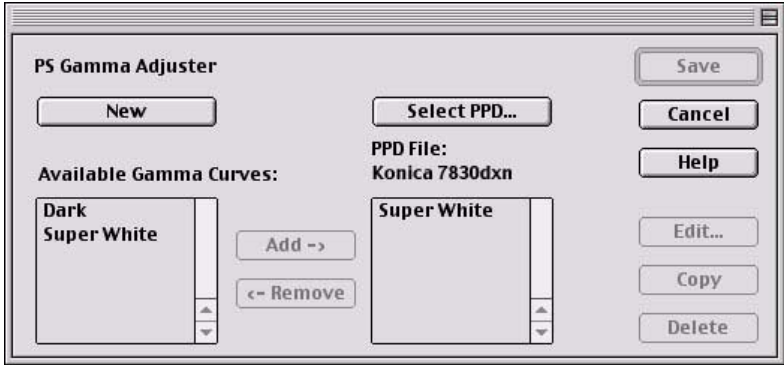
This utility will erase the hard disk of the printer and cause it to rebuild the directories.

1. Select the Disk to erase and click the button to execute. This action, once executed cannot be undone.

Substitute Fonts

This function is not supported for a non-kanji printer.

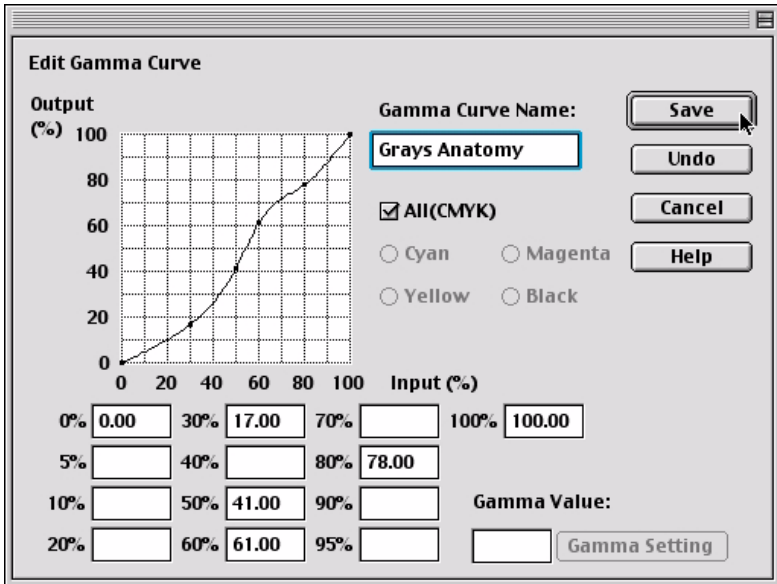
PS Gamma Adjuster



This option allows adjusting the gamma output, or toner density, when printing from the printer. The Gamma Curve profile is sent to the printer with the print job.

1. Because Gamma Curve profiles are tied to the displayed PPD file, select the correct PPD file before proceeding.
2. To add an available Gamma Curve profile, highlight the desired profile and press the **Add** button.
3. To remove a Gamma Curve profile from the PPD column, press the **Delete** button, NOT the **Remove** button. Only use the **Remove** button if you had edited (using the **Edit** button) the profile and wished to store it in the **Available Gamma Curves** column.

Create/Edit a New Gamma Curve Profile



1. To create a new Gamma Curve, press the **New** button. To edit, highlight the profile and press the **Edit** button.
2. Select either **All** or an individual color (deselect **All** first). To modify a curve, click on a point on the curve - the drag point - and drag it to change the shape of the curve. Or if known, enter the values in the fields below.
3. Once the configuration is completed, name and press the save button to save the profile.
4. Remember, the Gamma Curve profile is tied to the displayed PPD file; so the PPD file must be selected in the printer setup to gain access to the Gamma Curve profile saved to the same PPD file.

FONTS DOWNLOADER

This utility allows you to transfer **Fonts** to the printer's RAM or hard disk and to manage fonts on your PostScript printer. This utility is an Adobe product and will not be supported by OKI Data. Please read the Read Me file for further information.

Important!

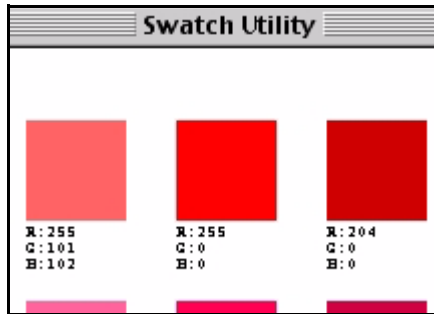
This utility will only communicate with the printer via AppleTalk and is incompatible with USB connections.

COLOR SWATCH UTILITY

The swatches represent selected samples of the OKI Executive Series Printers color palette and can be used to find the desired colors for your printed documents.

Open Color Swatch

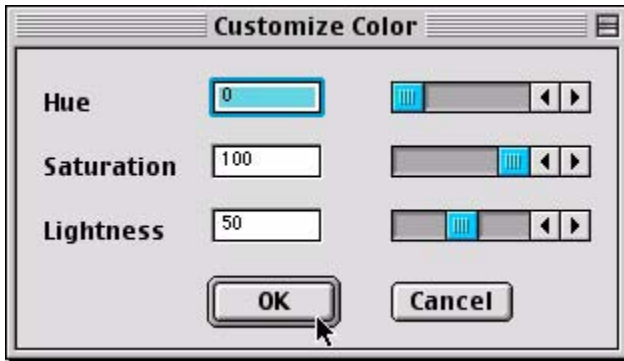
1. Access the Swatch utility by accessing **Local Hard Drive — Okidata — Swatch Utility** and double-clicking the file. You are presented with the Simple Swatch. The Simple Swatch covers the commonly used colors.



2. Each color block, or sample, is identified with information your software package needs to reproduce that color accurately. The numbers under each block specify the amounts of the primary colors—red (R), green (G), and blue (B), that mix to form each particular shade. The amounts are given as a numerical value between 0 and 255.

Create a Custom Swatch

1. If the color you are seeking is not in the Simple Swatch, create a new color by selecting **Custom Swatch** from the **File** menu.



2. Drag the handles as required and press **OK** to create the new color.
 - **Hue** bar changes the hue of the swatches, for example, red to green or blue to yellow.
 - **Saturation** bar changes vividness.
 - **Lightness** bar changes light intensity.
3. The utility then creates many different possibilities from which you can choose.
4. Once satisfied, print the swatch from the menu using **File — Print** or repeat the steps to find the color desired.

NOTE

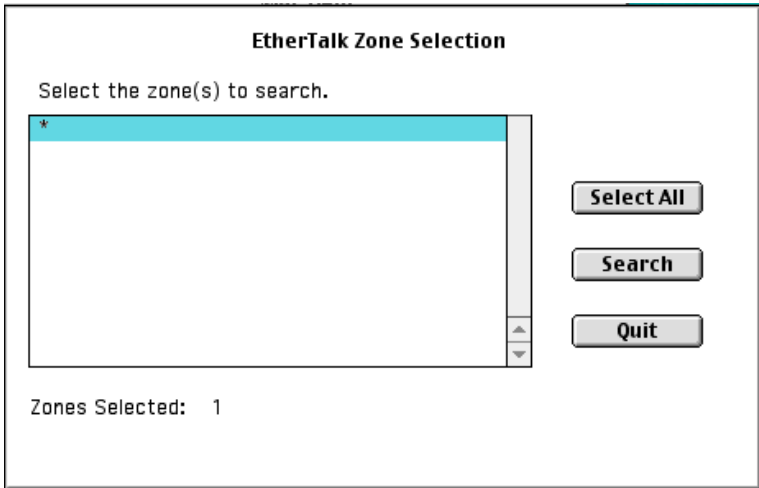
- **Swatch utility does not guarantee that the printer will print the same color as displayed; consider this only as a reference from which you can adjust parameters.**
 - **The printer may not be able to print the exact color that you desire.**
-
- For additional information, including **Applying Color Value in your Application**, and **Setting Monitor Color**, see the Swatch Utility ReadMe file located in the Mac folder.

OKINET UTILITY FOR ETHERTALK

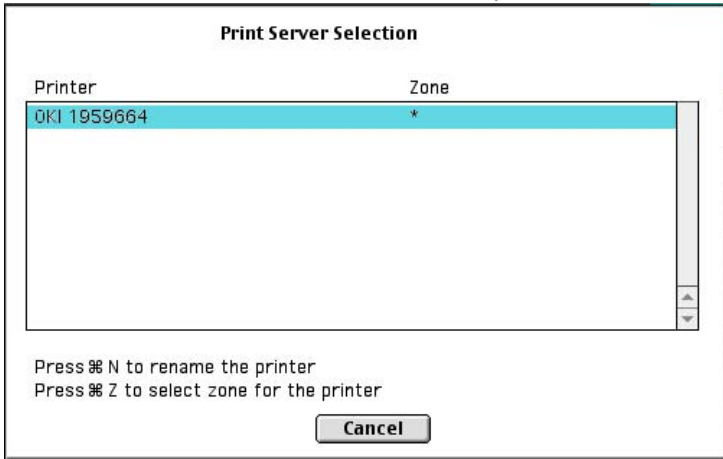
This utility allows changing the Zone and Name of the OKI printer on a network.

Rename Printer/Zone

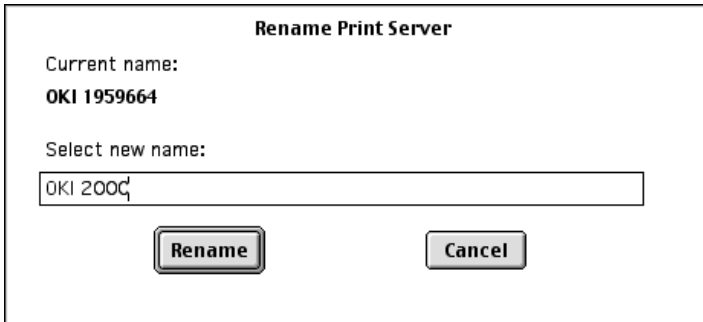
1. After opening the OkiNet application, press the **Search** button to select the printer you wish to name.



- Then, once found, follow the directions by pressing **Command+N** on the keyboard to rename the printer or **Command+Z** to select the zone for the printer.

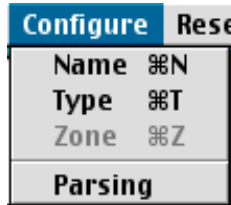


Printer Select

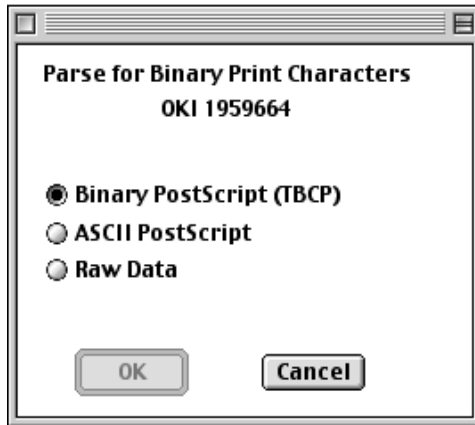


Printer Rename

3. Alternatively, you can use the Menu at this point to rename/change printers/zones.



Change Parse Type



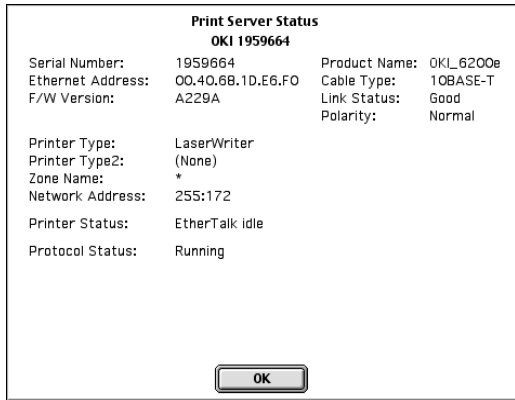
1. After selecting the printer, from the menu select **Configure — Parsing**.
2. Select the option desired and press **OK** to enable.

Print Config

1. After selecting the printer, from the menu select **File — Print Config** to gain a printout of the current configuration.

Check Print Server Status

1. After selecting the printer, from the menu select **File — Status**.



2. You will be presented with the *Status* screen. Press **OK** to return to close.

Configure Printer Type

1. After selecting the printer, from the menu select **Configure — Type**.

Change Type of Print Server
OKI 1959664

Current Type1:
LaserWriter

Current Type2:
(None)

Select New Type:
LEDWriter

Change Type 1 **Change Type 2** **Remove Type 2** **Cancel**

2. Enter the new name in and press **Change Type 1**. If you have altered **Current Type 2**, you would press the **Change Type 2** button.

Reset/Restore



1. To reset the board or restore the defaults, from the menu select **Reset** and then the option desired. The program will ask if you intend to complete the task, answer accordingly.

Mac OS 10.1.5 Utility

Important!

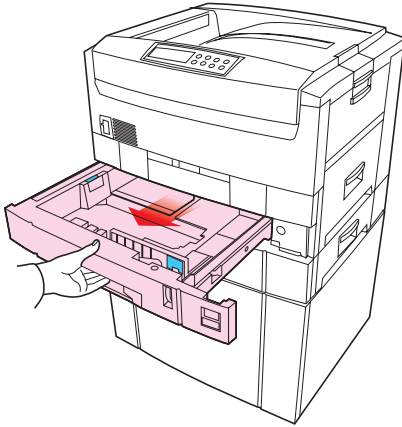
All Utilities on the installation CD are unavailable for Mac OS 10.1.5 and will only run on Mac Classic OS.

Maintenance

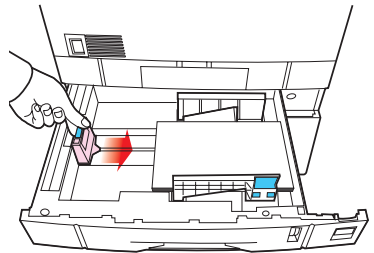
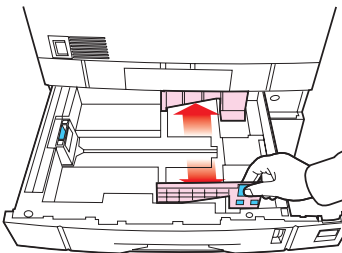
ADDING PAPER

The LCD display indicates when the number of sheets of paper in any paper tray falls below 30.

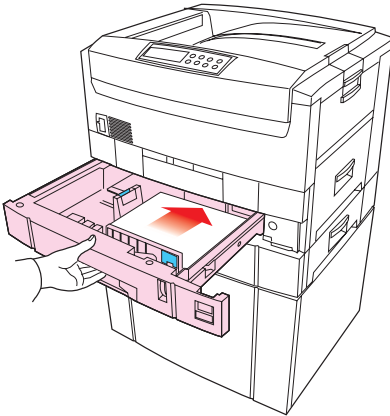
1. Pull out the paper tray.



2. Remove any remaining sheets of paper.
3. Refill the tray with up to a ream (500 sheets) of paper, then place the sheets removed in Step 2 on top (this ensures that the oldest paper is used first, to help prevent paper jams).
4. Check that the paper guides and rear stopper are correct for the size of paper being used.



5. Close the paper tray *gently*.



Important!

To prevent paper jams:

- Don't leave space between the paper and the paper guides and rear stopper.
- Don't overfill the paper tray. Capacity depends on the type of paper and the paper weight (max. 550 sheets of 20-lb. US Bond—75 g/m²—paper).
- Don't load damaged paper.
- Don't load paper of different sizes, paper quality or thickness at the same time.
- Don't remove the paper tray during printing.

NOTE

If installed, a lower paper tray cannot be used to print if there is no paper tray inserted above it.

CHANGING THE TONER CARTRIDGE

When the toner is running low, ***** TONER LOW** is displayed in the control panel (***) is the color name). If printing continues without replacing the toner cartridge, **CHANGE *** TONER** is displayed and printing is cancelled.

Depending on the operating environment, print may become faint before this message is displayed. If this happens, remove the toner cartridge and check whether it is empty; if so, the toner cartridge needs to be replaced.

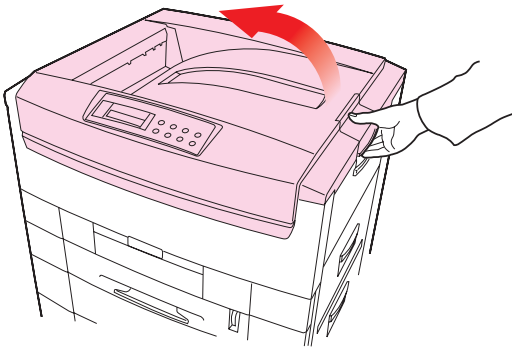
Cartridge life is approximately 15,000 letter-size pages at 5% print density. The first toner cartridge installed in a new image drum needs to be replaced after less than this amount because the toner cartridge has to fill a new image drum.

WARNING!

Take extreme care when handling toner.

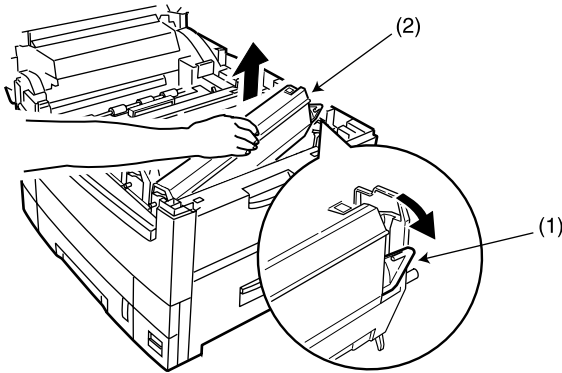
- ***Toner can be harmful if inhaled, swallowed or if it gets in the eyes.***
- ***Toner can also stain hands and clothing.***

1. Switch off the printer and open the top cover.



2. Check the color label of the toner cartridge to be changed.

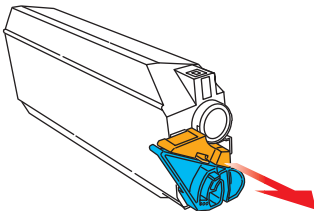
3. Move the lever (1) on the end of the toner cartridge in the direction of the arrow as far as it will go, then remove the toner cartridge (2), lifting the lever end of the cartridge first to disengage the locating peg on the image drum from the toner cartridge.



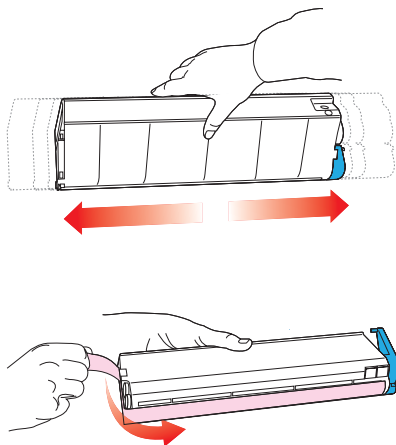
CAUTION!

Dispose of the toner cartridge in accordance with local legislation.

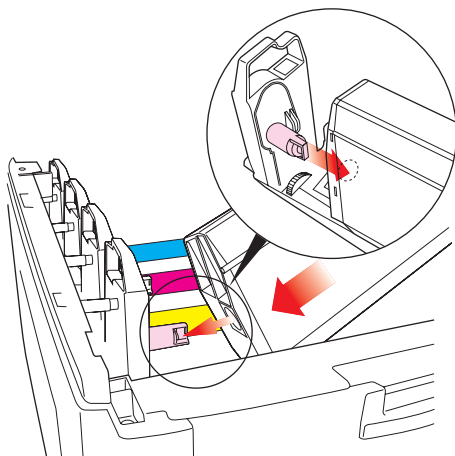
4. Unpack the new toner cartridge and remove the orange shipping clip.



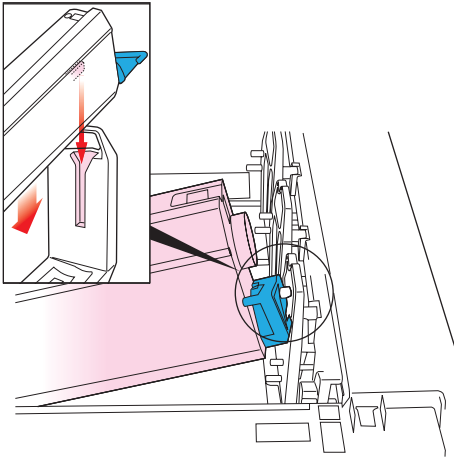
5. Shake the new toner cartridge back and forth several times. Then, holding the toner cartridge horizontally, remove the tape.



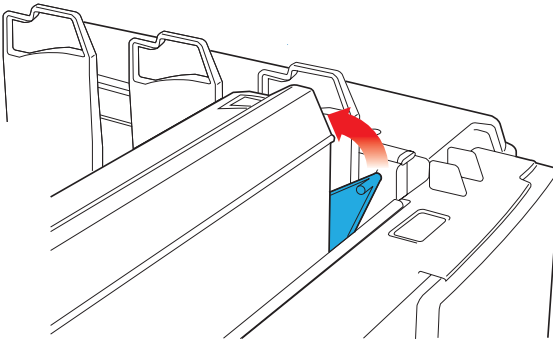
6. Insert the new toner cartridge into the image drum, left side first, engaging the drum locating peg in the hole in the toner cartridge.



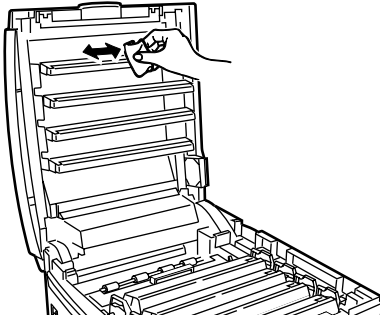
7. *Gently* push the toner cartridge down engaging the locking pin into the groove on the image drum.



8. *Gently* push the lever in the direction of the arrow until it stops. *If you meet any resistance when pushing the lever, STOP and push down on the cartridge to be sure it is firmly in place, then proceed.* This releases the toner into the image drum.



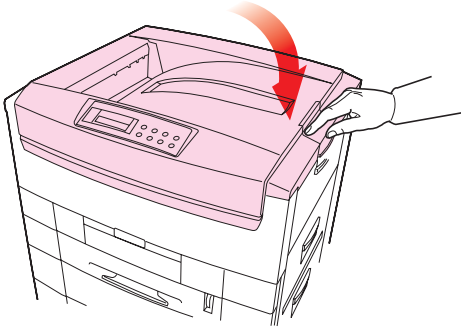
9. Gently wipe the corresponding LED head surface with the LED lens cleaner supplied with the toner cartridge.



CAUTION!

Do not use methyl alcohol or other solvents on the LED head otherwise damage to the lens surface will occur.

10. Close the top cover.



NOTE

After installing the new toner cartridge, the message on the display **TONER LOW** or **CHANGE TONER** should disappear. However, this sometimes does not disappear until printing has been carried out. If it still does not disappear, reinstall the toner cartridge.

CHANGING THE IMAGE DRUM

When the image drum reaches the end of its product life, ***** CHANGE DRUM** is displayed in the control panel (******* is the color name). If printing continues without replacing the image drum, **CHANGE *** IMAGE DRUM** is displayed and printing is cancelled.

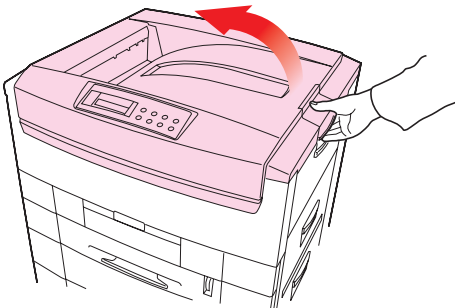
Change the toner cartridge and clean the LED head at the same time as changing the image drum.

Image drum life is approximately 23,000 sheets of letter-size media. This assumes a typical office environment where 20% of print jobs are one page emails, 30% are 3-page documents containing only words (no graphics) and 50% are print runs of 15 pages or more.

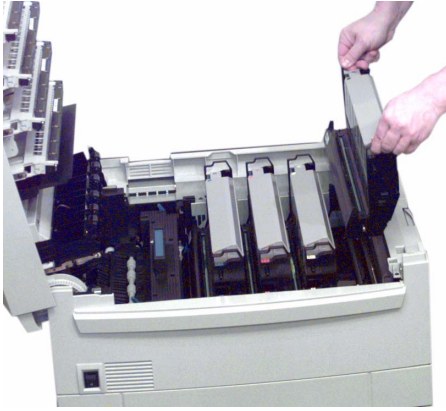
CAUTION!

- **Never expose the image drum to light for more than 5 minutes.**
- **Never expose the image drum to direct sunlight.**
- **Never touch the surface of the green drum inside the image drum unit.**

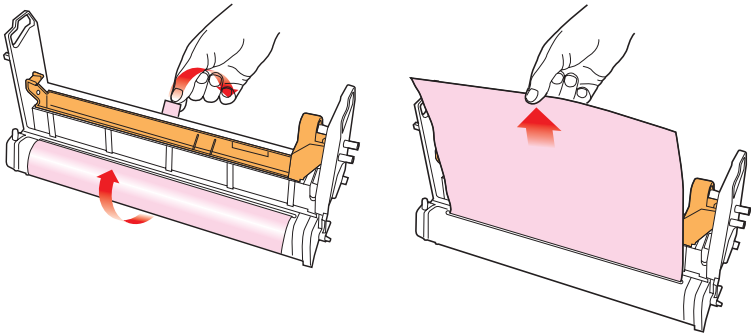
1. Switch off the printer and open the top cover.



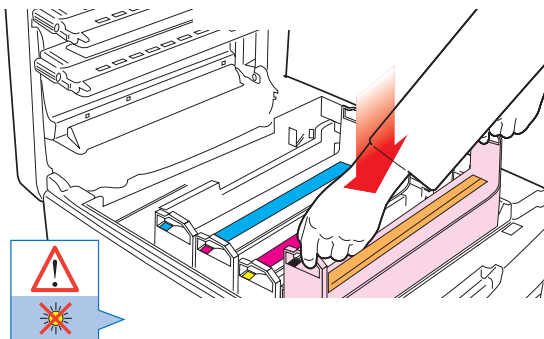
2. Remove the appropriate image drum/toner cartridge from the printer.



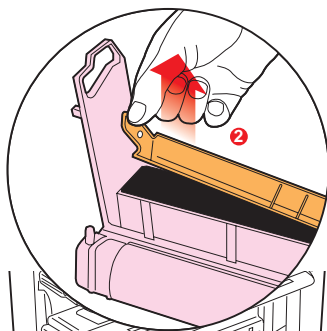
3. Remove the new image drum from the packaging.
4. Remove the protective sheet and film from the new image drum.



5. Install the new image drum in the printer.



6. Push the tab inwards and remove the blanking plate (2) from the image drum.



7. Install a new toner cartridge of the corresponding color: see “Changing the toner cartridge” on page 180.

WARNING!

Take extreme care when handling toner.

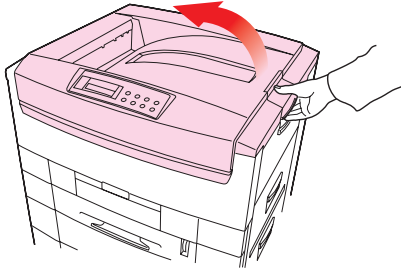
- ***Toner can be harmful if inhaled, swallowed or if it gets in the eyes.***
- ***Toner can also stain hands and clothing.***

8. Close the top cover.

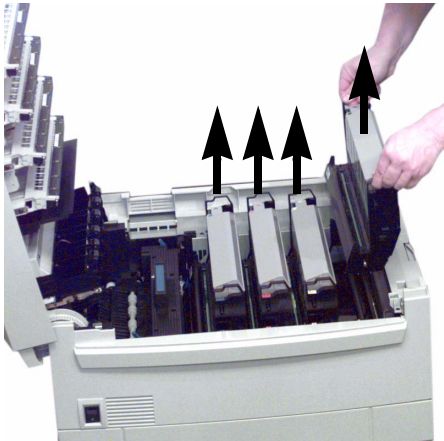
CHANGING THE TRANSFER BELT

When the transfer belt reaches the end of its life, **CHANGE BELT UNIT** is displayed in the control panel. The transfer belt life is approximately 80,000 sheets, letter long edge feed. However, this assumes a standard print job of three sheets. If single sheets are printed, transfer belt life is reduced.

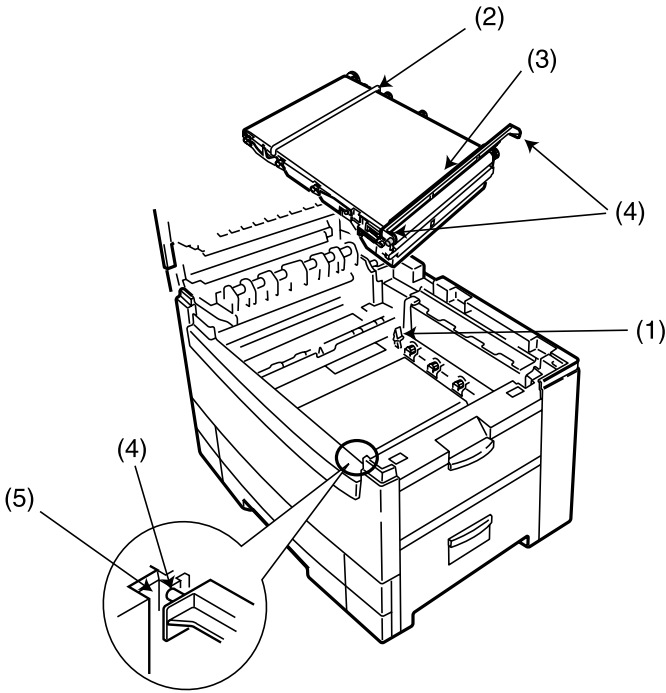
1. Switch off the printer and open the top cover.



2. Remove all four image drums/toner cartridges from the printer and place them on a *flat* surface (to prevent damage to the shiny green drum surface), then *cover them to protect them from light* while you are replacing the transfer belt.



3. Press back the lock lever (1) and, using the handles (2 and 3), remove the old transfer belt from the printer.

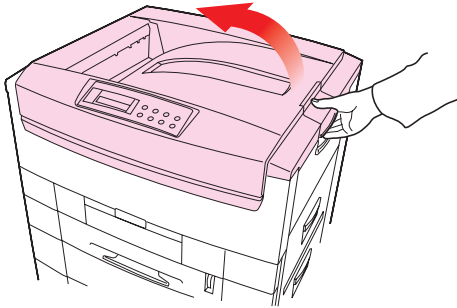


4. Remove the new transfer belt unit from its packaging.
5. Using the handles (2 and 3), align the pins (4) with the grooves (5) on the printer and insert the new transfer belt in the printer.
6. Move the lock lever (1) forward and lock the transfer belt into place.
7. Reinstall the four image drums and toner cartridges in the printer.
8. Close the top cover.

CHANGING THE FUSER UNIT

When the fuser unit reaches the end of its product life, **CHANGE FUSER UNIT** is displayed in the control panel. Fuser unit life is approximately 80,000 letter-size sheets.

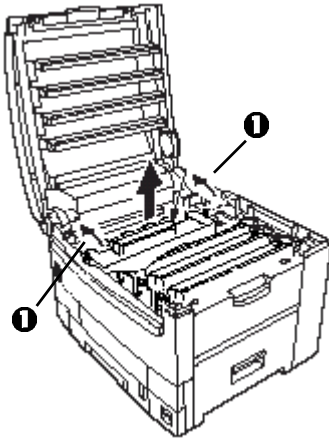
1. Switch off the printer and open the top cover.



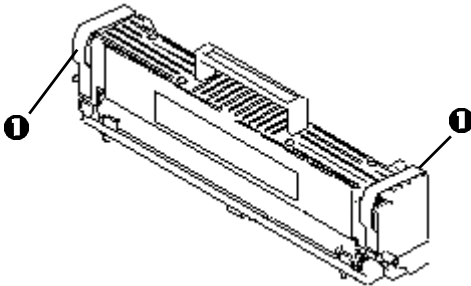
WARNING!

The fuser unit is very hot after printing. Always use the handle when lifting it.

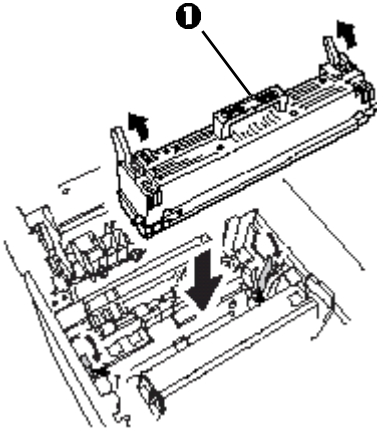
2. Move the two locking levers (1) to the rear of the machine to release the fuser unit, then use the handle to remove the fuser from the printer.



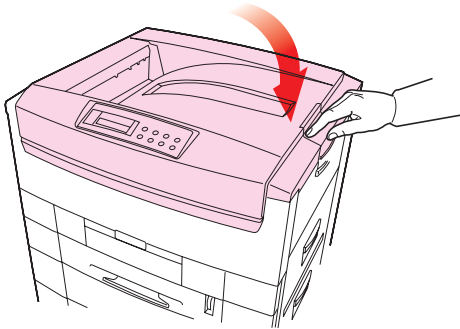
3. Remove the new fuser unit from its packaging and lift off the shipping tape (1) holding the levers at either end of the fuser. As you remove the tape, the levers should move into the locked position.



4. Using the handle (1), lower the new fuser unit into the printer and push down firmly to lock it in place.



5. Make sure the two spring loaded locking levers lock the fuser unit into place.
6. Close the top cover.

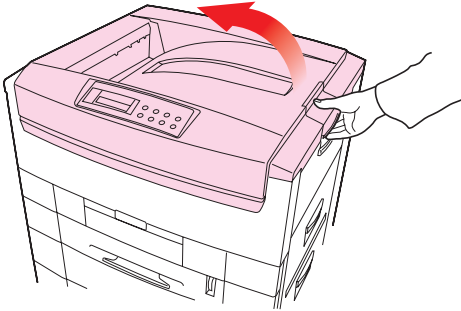


CLEANING THE LED HEADS

Clean the LED heads when

- printing is unclear
- printing has white lines
- when text is blurred

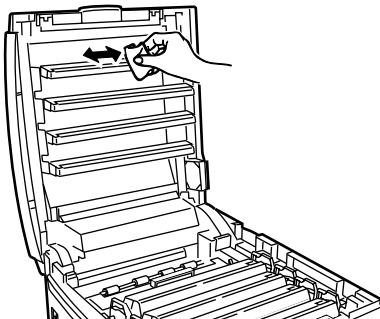
1. Switch off the printer and open the top cover.



CAUTION!

Do not use methyl alcohol or other solvents on the LED head: these will damage the lens surface.

2. *Gently* wipe each LED head surface with the LED lens cleaner or a soft tissue.



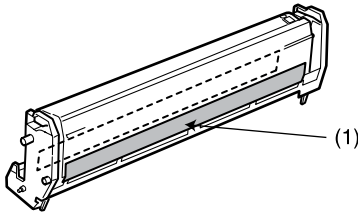
3. Close the top cover.

TRANSPORTING THE PRINTER

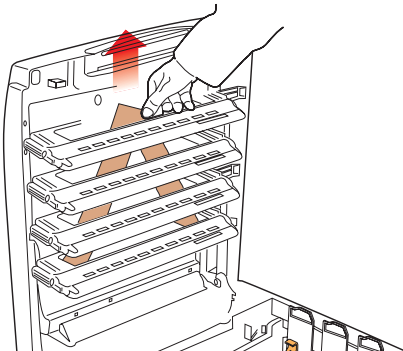
This printer is a precision machine. If it is transported without its protective packaging it may be prone to mechanical damage.

To prepare the printer for transportation:

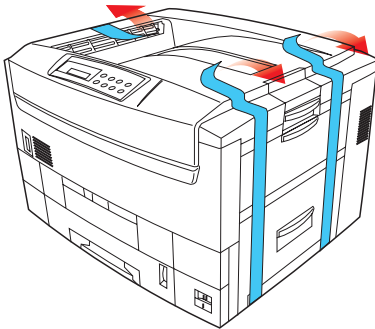
1. Turn off the printer.
2. Disconnect the power cable and printer interface cable from the printer and remove any paper from the paper trays.
3. Open the top cover and remove the four image drums.
4. Seal the aperture on each image drum and its toner cartridge with plastic adhesive tape (1) to prevent any toner spillage during transportation.



5. Place the four image drums complete with their toner cartridges back into the printer.
6. Place the LED packing array strips behind the LED heads and close the cover.



7. Secure the cover with packing tape.

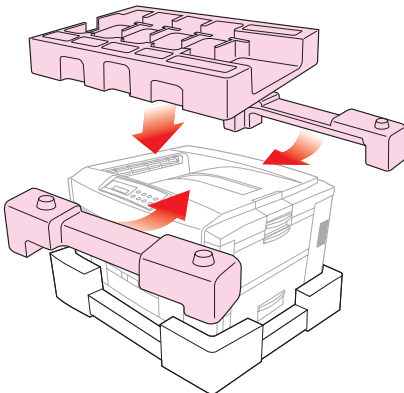


WARNING!

The printer weighs 160 lbs. (72 kg) without the duplex unit; 172 lbs. (78 kg) with the duplex unit installed (dxn models).

Three (3) people are required to lift the printer safely.

8. Place the bottom styrofoam packing piece on the skid and lower printer onto it. Then place the remaining styrofoam packing pieces around the printer.



9. Place the box over the printer on the skid and secure it in place with the handle locks.

Troubleshooting

LCD MESSAGES

The liquid crystal display (LCD) on the control panel indicates the printer status and if there is a problem with the printer. Status and error messages are listed below together with an explanation of what each message means:

LCD Message	Meaning
***** DRUM NEAR LIFE	An image drum is nearing the end of its life. (***** indicates color)
***** EMPTY	Warning that Tray ***** is empty. MP Tray is Tray 0.
***** NEAR END	The paper in the selected ***** is nearly finished. (***** indicates paper tray).
***** TONER LOW	Toner is low (***** indicates color).
***** TONER SENSOR ERROR	Error with the toner sensor (***** indicates color). Call for service.
BELT UNIT MISSING	Transfer belt unit is missing.
CANCELLING JOB	Cancelling the current job.
CENTRO I/F ERROR	Centronics interface error (parallel interface).
CHANGE ***** IMAGE DRUM	Change the image drum (***** indicates color).
CHANGE BELT UNIT	Change the transfer belt.
CHANGE FUSER UNIT	Change the fuser unit.
CHANGE PAPER TO *****	Paper must be changed to correct paper size and/or media type (***** indicates size or media type).
CHECK *****	Check Tray ***** for paper jam. MP tray is Tray 0.
CHECK BELT UNIT	Check the transfer belt for paper jam, correct installation, etc.
CHECK DUPLEX	Check the duplex unit for paper jam, correct installation, etc.
CHECK FUSER UNIT	Check the fuser unit for paper jam, correct installation, etc.
CHECK IMAGE DRUM	Check the image drum for correct installation, etc. Color will be indicated.
COLLATE FAIL	Collating of multiple copies has failed.
COLOR ADJUSTING	Adjusting head so that colors do not shift on to each other.
COLOR BALANCE ADJUST	Adjust the color balance.

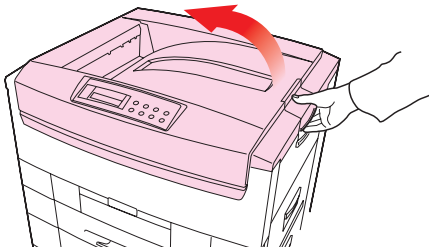
LCD Message	Meaning
COMMUNICATION ERROR	There is an error with communications to computer.
DATA ARRIVE	Data has been received but processing has not started yet.
DATA PRESENT	Un-printed data remains in buffer. Waiting for data to follow.
DISK FILE OPERATION FAILED	Error with hard disk operations.
DISK FILESYSTEM IS FULL	Hard disk/flash memory full.
DISK FULL	The internal hard drive is full.
EEPROM INITIALIZE ERROR	Call for service.
EMPTY	Indicates which paper tray is empty.
ERROR POSTSCRIPT	A PostScript error has occurred.
FATAL ERROR	Call for service.
FUSER UNIT MISSING	Fuser unit is missing.
INSTALL ADDITIONAL MEMORY	Additional memory is required before job can be printed.
INSTALL NEW IMAGE DRUM	Install a new image drum. Color will be indicated.
INSTALL NEW TONER	Install a new toner cartridge. Color will be indicated.
INSTALL PAPER CASSETTE	Install the paper cassette. Paper tray will be indicated.
INVALID DATA	Data is incorrect.
LOAD	Load correct paper size/type. Size/type will be indicated.
MEDIA MISMATCH	Paper type set via menu does not match that sent via driver.
NETWORK ERROR	Network error.
OFFLINE	Shows off line status.
ONLINE	Shows on line status.
OPEN UPPER COVER	Open the upper cover.
PAPER JAM	Indicates there is a paper jam.
PAPER SIZE ERROR	Indicates wrong paper size.
PLEASE POWER OFF	Printer must be switched off after disk/flash initialization.
POWER SAVE	The printer is in power save mode.
PRINTING	Data is being printed.
PROCESSING	Data is being processed.

LCD Message	Meaning
RAM CHECK	RAM is being checked after switching printer on.
REGISTRATION ADJUST TEST	Registration adjustment being tested.
REGISTRATION ERROR	An error has occurred setting up the registration.
REMOVE THE PAPER	Indicates wrong paper being used.
RS232C FRAMING ERROR	Serial framing error. Check configuration of serial card.
RS232C OVERFLOW ERROR	Serial overflow error. Check configuration of serial card.
RS232C OVERRUN ERROR	Serial overrun error. Check configuration of serial card.
RS232C PARITY ERROR	Serial parity error. Check configuration of serial card.
SERVICE CALL	A serious error has occurred. Call for service.
SHUTDOWN	Starts the shutdown procedure to protect the file system on hard disk.
SIZE MISMATCH	Change paper to correct size/type. Press On-line to continue.
STACKER FULL	Stacker is full. Remove the paper.
UNSUITABLE SIZE	Indicates wrong paper size.
USB I/F ERROR	USB interface error has occurred.
WARMING UP	The printer is warming up.

PAPER JAMS

Paper jams are indicated by an error message on the display. Paper jams are cleared as follows:

1. Open the top cover of the printer.

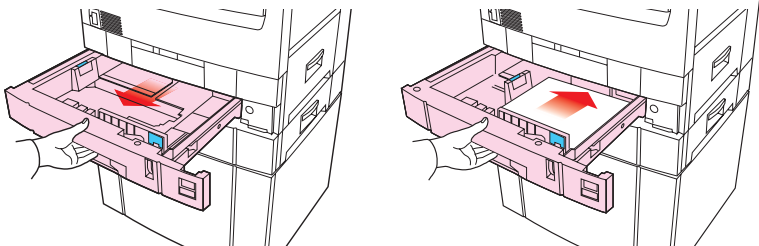


NOTE

Do not close the top cover *completely* (until it latches) during this process. If the top cover is closed too soon, the paper jam error will not be cleared.

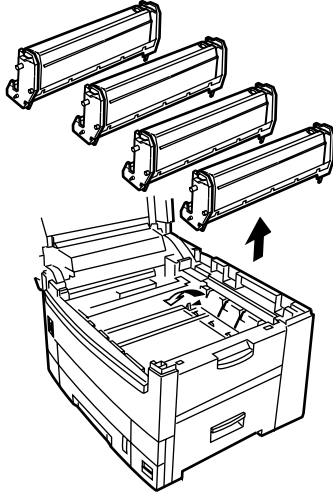
To minimize possible damage to the drums due to exposure to light, lower the top cover when appropriate, but do not press down to latch it.

2. **Check the paper tray:** Pull out the paper tray and remove any jammed paper from the printer, then gently push the paper tray back in.



3. **Check the transfer belt and right side cover**

- a. Remove all four image drums and place them on a flat surface away from light.

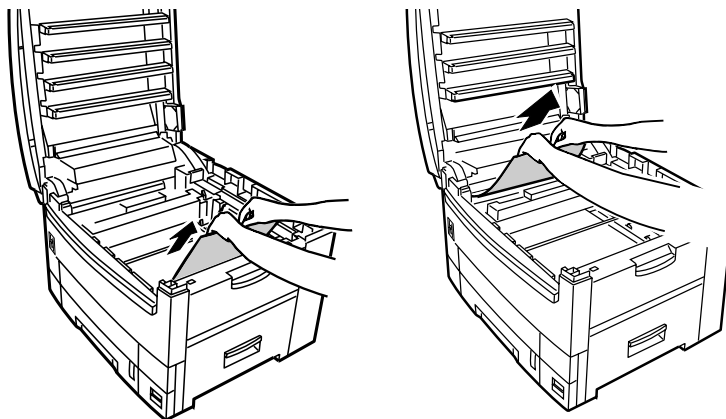


CAUTION!

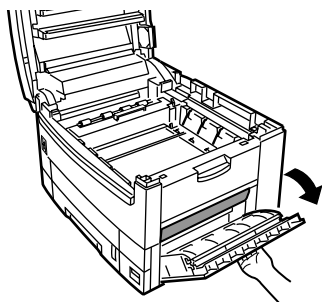
To avoid damage to the drums:

- Be careful to place the drums on a flat surface so that nothing contacts the shiny green surface in the bottom of the drum.
- Keep the image drums away from light.

- b. Carefully remove any jammed paper from the transfer belt and top paper exit.

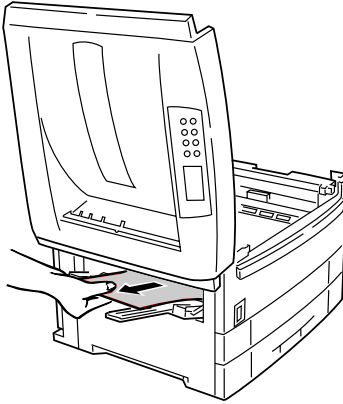


- c. Open the right side cover and remove any jammed paper, then close the right side cover.



- d. Put all four image drums back into the printer.

4. **Check the straight-through exit paper tray:** remove any jammed paper from the side exit tray (if necessary, open the tray and remove any jammed paper, then close it).

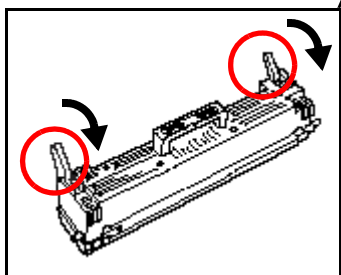
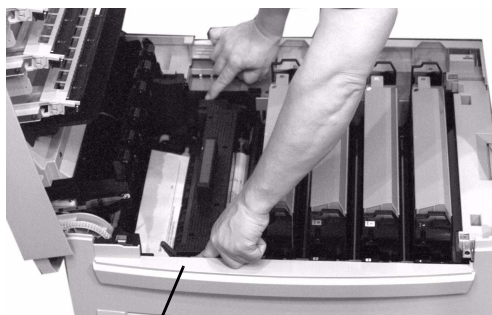


5. **Check the fuser unit:**

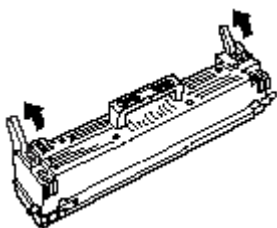
WARNING!

The fuser unit is very hot after printing. Always use the handle when lifting it.

- a. Release the fuser roller lock levers at either end of the fuser and slowly remove the jammed paper.

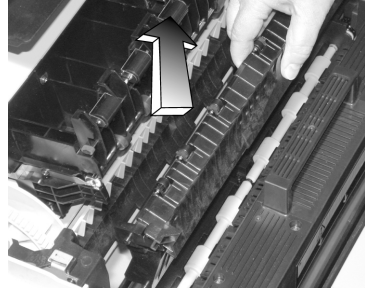
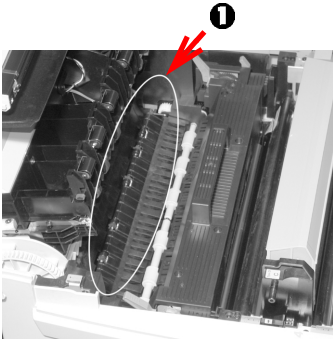


- b. Relock the levers at either end of the fuser.

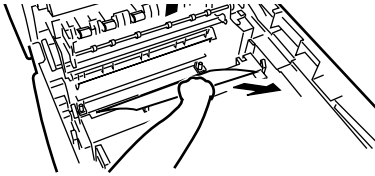


6. **Check the paper separator:**

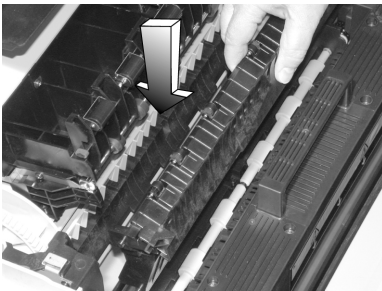
- a. Release and lift the separator (1).



- b. Remove any jammed paper from the printer.

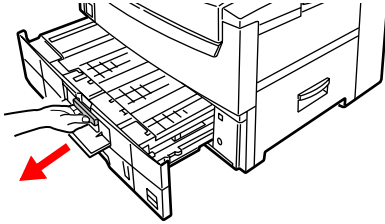


- c. Replace the separator.

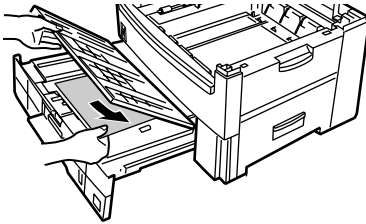


7. Check the duplex unit

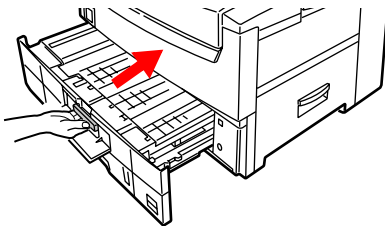
- a. Open the small front cover and pull on the blue handle to slide the duplex unit and paper tray out.



- b. Lift the duplex top cover and remove any jammed paper.



- c. Close the duplex top cover and slide the duplex unit/paper tray back into the printer.



- d. Close the small front cover.

8. **Check any additional paper trays:** if any additional paper trays (1) or the high capacity feeder (2) are installed, pull out the paper trays and check that no paper is jammed along the various parts of the exit path.

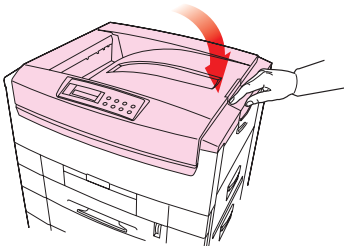


1



2

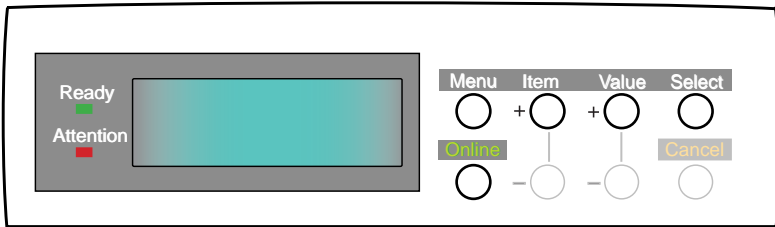
9. Close the top cover, pressing down to latch it in place.



PARALLEL TRANSMISSION MODE

The parallel port supports IEEE-1284 and ECP mode. If your computer's parallel port is not compatible with one of these modes, the printer may not print at all or it may print corrupted data.

To correct for this, enter the printer's Parallel Menu and change the ECP setting to Disable



1. Press the MENU button until **PARALLEL MENU** is displayed, then press the SELECT button.
2. Press the ITEM button until **ECP** is displayed.
3. Press the VALUE button to change the display to **DISABLE**.
4. Press the SELECT button.

An asterisk () appears to the right of the selected setting.*

5. Press the ONLINE button to return the printer to online status.

PROBLEM SOLVING

Paper feed problems

Paper jams are frequent.

- More than one sheet feeds at a time.
- Paper curls.
- Paper feeds at an angle.

Possible cause	Remedy
The printer is not horizontal.	Place the printer on a stable, level surface.
The paper is too thin.	Use the correct type of paper (see Specifications).
The paper is moist or affected by static.	Store paper within specified temperature and humidity levels.
The paper is creased or wrinkled.	Remove the creased/wrinkled paper from the feed tray.
The paper is not aligned correctly.	Adjust tray or manual feed guides.
Paper doesn't feed.	Correct paper feed selection in the printer driver.

Paper jam has been cleared, but printer does not print.

Possible cause	Remedy
The top cover has not remained open until all paper jams have been cleared.	Removing a paper jam is not sufficient: Raise and <i>gently</i> lower the top cover, especially if the paper jam has been removed from behind the front cover.

PROBLEMS PRINTING FROM MACINTOSH

Cannot configure for USB connection.

Possible cause	Remedy
USB cable does not meet specifications.	Use USB cable to specification Ver.1.1.
Interface is disabled.	Check that USB interface is set to Enable.
Configuration procedure was not correctly followed or cancelled.	Configure again from the beginning.
USB cable is disconnected or faulty.	Reconnect or try another cable.
A USB hub is being used.	The printer cannot be used with a USB hub. Connect the printer and computer directly.

Cannot print.

- PRNUSBX WRITE ERROR is displayed.

Possible cause	Remedy
Interface is disabled.	In the printer menu settings, enable Parallel or USB interface.
Printer is switched OFF.	Switch ON.
Printer interface cable is disconnected.	Reconnect the printer interface cable.
A converter, buffer, extension cable or USB hub is being used.	Test by connecting printer and computer directly.
Printer driver output port is incorrect.	Set correct output port to which the printer interface cable is connected.
Printer is not selected in the printer driver.	Select the printer or set to default printer.
Incorrect printer driver is being used.	Delete this printer driver and install correct printer driver.

Printing is slow.

Possible cause	Remedy
Print processing is carried out by the computer.	Use a computer with a faster processor. Set lower print resolution in the printer driver
Data is too complex.	Simplify data.

Printer requests paper size change to continue printing.

Possible cause	Remedy
Paper loaded in tray is different size from that formatted in software application.	Either change paper in tray to match size formatted in application and press ONLINE to continue, or continue printing on existing paper by pressing ONLINE.

PROBLEMS WITH POOR QUALITY PRINTING

Longitudinal white stripes

Possible cause	Remedy
LED head is dirty.	Clean LED head with lens cleaner or soft tissue.
Toner is low.	Change toner cartridge.
Image drum damaged.	Change image drum.

Longitudinal fading

Possible cause	Remedy
LED head is dirty.	Clean LED head with lens cleaner or soft tissue.
Toner is low.	Change toner cartridge.
Paper is unsuitable for printer.	Use recommended paper.

Faint printing

Possible cause	Remedy
The toner cartridge is incorrectly installed.	Reinstall the toner cartridge.
Toner is low.	Change toner cartridge.
The paper is moist.	Store paper within specified temperature and humidity levels.
Paper is unsuitable for printer.	Use recommended paper.

Fading in patches

Possible cause	Remedy
The paper is moist.	Store paper within specified temperature and humidity levels.

Longitudinal black stripes

Possible cause	Remedy
Image drum is damaged.	Replace image drum.
Toner is low.	Change toner cartridge.
Periodic black lateral lines or spots.	<ul style="list-style-type: none">• If the lines or spots occur at intervals of approximately 44 - 94 mm, the image drum (green tube) is damaged or dirty. If damaged, replace the image drum cartridge. If dirty, wipe the image drum gently with soft tissue. If this does not work, replace the image drum.• If the lines or spots occur at intervals of approximately 113 mm, the fuser roller is damaged. Change the fuser unit.
The image drum has been exposed to light.	Remove the image drum from the printer and store it in a dark place for several hours. If this does not work, replace the image drum.

Faint shading on unprinted sections

Possible cause	Remedy
Paper has been affected by static electricity.	Store paper within specified temperature and humidity levels.
Paper is too thick.	Use recommended paper.
Toner is low.	Change toner cartridge.

Blurred letter edges

Possible cause	Remedy
LED is dirty.	Clean LED with lens cleaner or soft tissue.
Cannot print desired color because toner is low.	Replace toner cartridge.
Black formation method does not match application.	Open the printer driver and set black formation to CMYK.

MISCELLANEOUS PROBLEMS

The power is on, but the printer does not go online.

Possible cause	Remedy
Bad connection	Switch off the printer and disconnect the power cable. Reconnect power cable and switch the printer on. If this does not clear the fault, call for service.

Print processing does not start.

Possible cause	Remedy
Printer error.	Check the control panel. If an error message is displayed, correct the problem.

Print processing cancels.

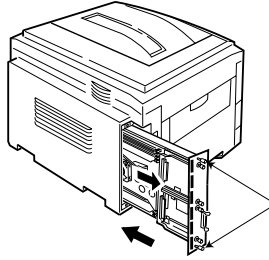
Possible cause	Remedy
The printer interface cable is faulty.	Replace the printer interface cable.
The time out setting is too short.	Reset the time out to a higher value.

Printer makes a strange noise.

Possible cause	Remedy
The printer is not horizontal.	Place the printer on a stable, level surface.
There are scraps of paper or other foreign matter inside the printer.	Check the inside of the printer and remove any such objects.
The top cover is not firmly shut.	Press the left and right sides of the top cover.

An asterisk (*) symbol appears on the display, repeatedly moving across the first line then the second.

Possible cause	Remedy
The main board is not properly seated in the printer.	Turn the printer off, then reseal the main board and turn the printer back on again.



It takes a long time to start printing.

Possible cause	Remedy
The printer has to warm up returning from power save mode.	In the printer menu settings, set power save to a higher value to increase the length of time before entering power save mode.
The image drum carries out a cleaning process to ensure print quality, which takes time.	Wait until this process has been completed.
The fuser unit adjusts temperature, which takes time.	Wait until this process has been completed.
The printer is processing data from another interface.	Wait until this data is processed.

Toner rubs off the printed surface.

Possible cause	Remedy
Media Weight and Media Type settings may not be appropriate.	Set the value of media weight to the next heaviest one.
Packing materials left on the fuser when it was installed.	Careful! Fuser may be HOT! Open the top cover and check to be sure that all packing materials were removed from the fuser. To remove the fuser, see "Changing the fuser unit" on page 192.

Accessories

INTRODUCTION

Depending on the configuration of your printer, you may wish to add one or more of the following options as your needs evolve:

- **Additional Memory:** see page 219
- **Hard Disk Drive (HDD):** see page 223
- **Duplex Unit:** see page 226
- **Paper Trays:** see page 229
- **High Capacity Feeder (HCF):** see page 233
- **Finisher:** see page 237

For all but the finisher, which is described in a separate manual, details of their physical installation are provided in this section.

ADDITIONAL MEMORY

Additional memory increases the printer's capacity to process complex data:

- Recommended for duplex printing or if error messages appear when printing complex data.
- Used for graphic-intensive applications on networks.

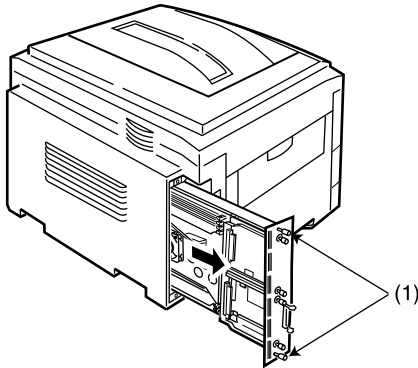
Additional memory is available in 64Mb, 128Mb, and 256Mb modules.

Installing additional memory

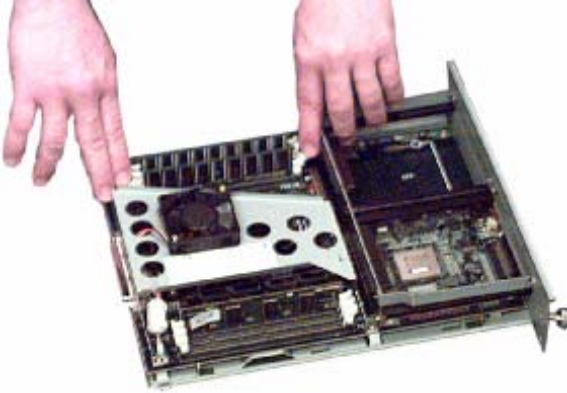
NOTE

If the maximum amount of memory is being installed in the printer (three 256 MB modules), the memory modules that were originally installed must be removed.

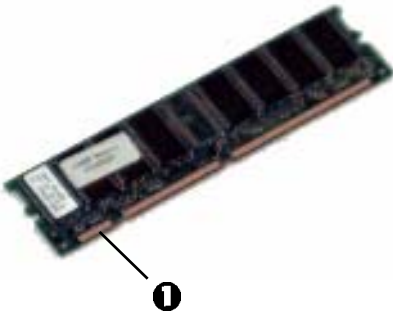
1. Switch off the printer and disconnect the power cable and printer interface cable.
2. Loosen the two screws (1) and remove the main board.



3. Insert the memory modules the slots as follows: push out the white tabs at either end of the socket.



- a. Align the module with the narrow strip (1) on its metallic contact edge to the right (toward the slot identifier numbers) of the control board.



- b. Carefully insert the module in the socket, placing the ends into the slot in the lock tabs. Press down firmly, until you feel the board engage the connector, then make sure the white tabs come up to lock the module in place..



4. Replace the main board and secure it with the two screws.
5. Reconnect the printer interface cable and power cable, then switch on the printer.

NOTE

If the error message **SERVICE CALL/034** appears on the LCD after switching the printer on, *turn the printer off* and pull the main board back out and make sure the memory modules have been installed correctly.

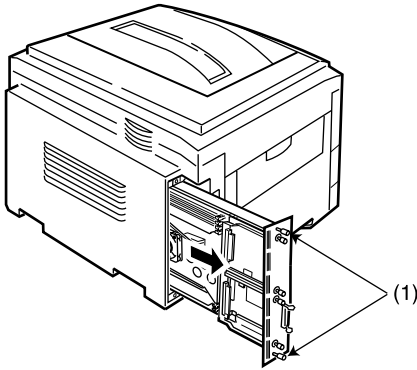
6. Print a MenuMap (see “Printing the MenuMap” on page 38) and check that the Total Memory Size shown at the top of the MenuMap matches the memory now installed in the printer. If it doesn't, *turn the printer off* and pull out the main board and check to be sure that the modules are all *firmly seated* in their connectors.

INTERNAL HARD DISK DRIVE

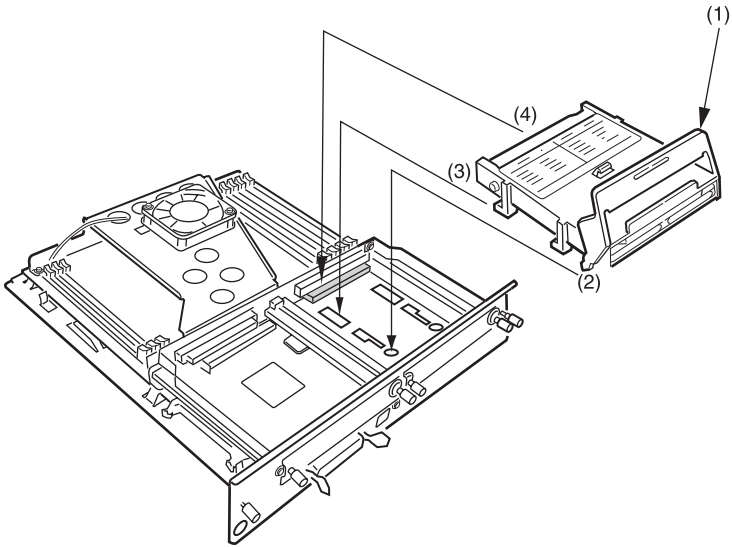
The optional internal hard disk is used to store documents for proof and print, password or secure printing.

Installing the hard disk drive

1. Switch off the printer and disconnect the power cable and printer interface cable.
2. Loosen the two screws (1) and remove the main board.



3. Hold the hard disk drive by the locking handle (1), then insert the handle locating lugs (2) and four locating feet (3) into the holes in the main board making sure the hard disk connector (4) starts to engage with the socket on the control board.



4. *Gently* push down on the locking handle (1) making sure the hard disk moves forward and fully engages with the socket.
5. Replace the main board and secure it with the two screws.
6. Connect the printer interface cable and power cable, then switch on the printer.
7. Print a MenuMap (see “Printing the MenuMap” on page 38) and check that the HDD appears at the top of the MenuMap. If it doesn't, pull the main board back out and reset the HDD.

The printer will automatically configure to include this option. However, you can also set the menu manually as follows:

1. Press the MENU button until **DISK MAINTENANCE** is displayed, then press the SELECT button.
2. When **HDD INITIALIZE** is displayed, press the SELECT button.

3. Press the ITEM button to shut down the printer.
4. Switch the printer on again (The printer has to be switched off and back on again to initialize the hard disk before use).

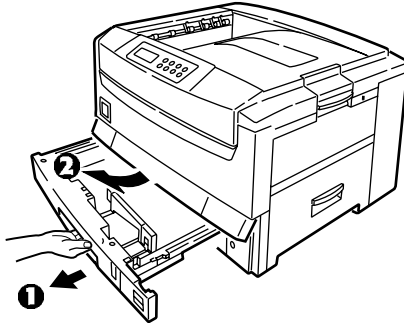
NOTE

- **When initializing the hard disk, any fonts, overlays or print jobs that have been acknowledged will be erased.**
- **The Storage Device Manager can also be used to initialize the hard disk after installation. Please refer to the User Guide for the Storage Device Manager.**

DUPLEX UNIT

Installation

1. Switch off the printer and disconnect the power cable.
2. Remove the paper tray (1): slide it out until it reaches its stop, then lift up to remove the tray completely from the printer.

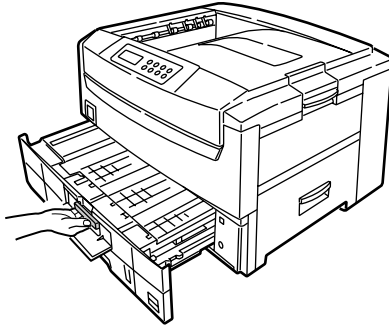


3. Remove the front cover (2) by lifting it at both ends.

NOTE

Do not discard the front cover. If the duplex unit is removed, the front cover has to be reinstalled.

4. Place the duplex unit on top of the paper tray so that they are aligned flush, then open the small cover on the duplex unit and pull the blue handle gently until the duplex unit and paper tray are locked together.



5. Slide the duplex unit and paper tray as a complete unit back into the printer.
6. Connect the power cable and switch the printer on.

NOTE

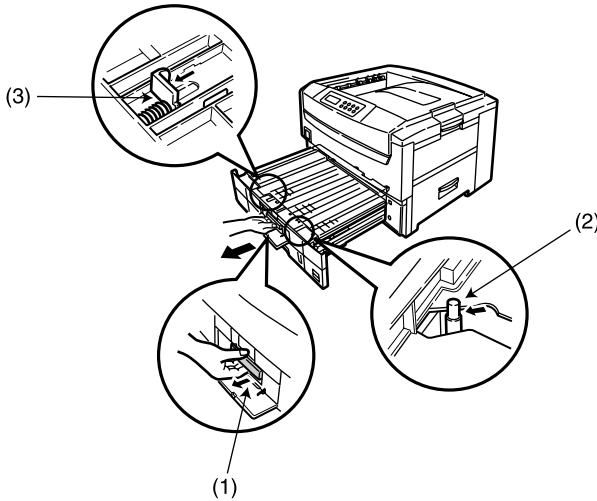
The printer menu will automatically configure to include this option. However, you can also set it manually as follows:

- Press the **MENU** button until **PRINT MENU** is displayed, then press the **SELECT** button.
- Press the **ITEM** button until **DUPLEX** is displayed.
- Press the **VALUE** button until **ON** is displayed then press the **SELECT** button. An asterisk (*) appears to show that duplex has been set to on.
- Press the **ONLINE** button to turn the printer back on line.

Removing the duplex unit

The duplex unit may be removed from the printer as follows.

1. Switch off the printer and disconnect the power cable.
2. Open the small front cover and pull the colored handle (1) to slide the duplex unit/paper tray out of the printer as a complete unit.



3. Slightly lift up the duplex unit/paper tray together and remove completely from the printer.
4. Pull the post (2) forward and pull the two stoppers (3) forward to release the duplex unit from the paper tray, then remove the duplex unit from the paper tray.
5. Reattach the original front cover, then reinstall the paper tray.
6. Connect the power cable and switch the printer on.
7. Change the DUPLEX setting in the menu to OFF: to do this, follow the steps in the NOTE on page 227 in reverse.
8. Press the ONLINE button to turn the printer back to online status.

ADDITIONAL PAPER TRAYS

Two additional paper trays can be installed and, when combined with the standard paper tray, paper capacity increases to approximately 1650 sheets.

Installation

1. Switch off the printer and disconnect the power cable and printer interface cable.

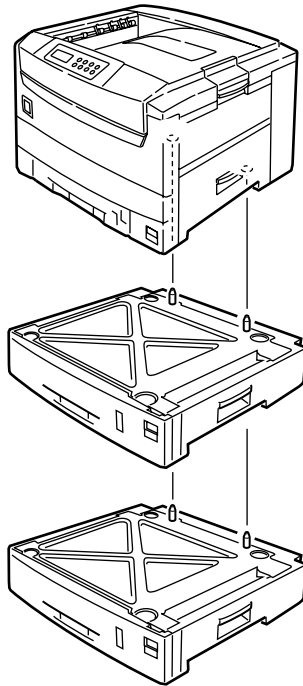
WARNING!

*The printer weighs 160 lbs. (72 kg) without the duplex unit;
172 lbs. (78 kg) with the duplex unit installed (dxn models).
Three (3) people are required to lift the printer safely.*

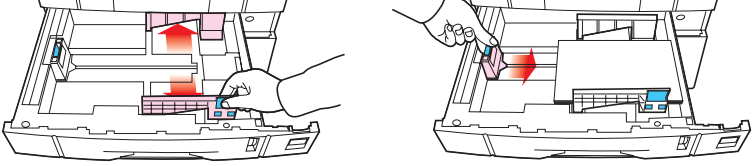
NOTE

If installing both additional paper trays, put the two additional paper trays together as one unit first, then install the printer on top of the two additional paper trays.

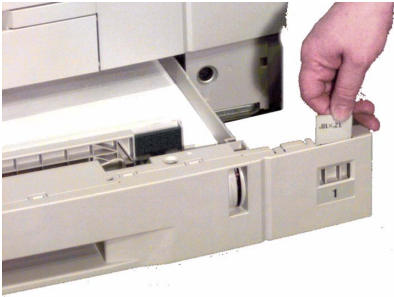
2. Lower the printer *gently* on to the additional paper tray unit aligning the holes and connection socket on the base of the printer with the locating pegs and connector on the additional paper tray unit.



3. Load paper in each tray, using the same procedure you use for loading paper in Tray 1.



4. Fold the tray media size identifier sheet to expose the appropriate media size, then insert it in the holder at the right end of the tray.



5. Place the appropriate self-adhesive tray number identifier label (2 or 3) supplied with the optional tray on the lower rectangle at the right side of the tray.



6. Connect the printer interface cable and power cable, then switch on the printer.
7. Print a MenuMap (see “Printing the MenuMap” on page 38) and check that the newly added tray(s) now appear under the MEDIA MENU as Tray2, Tray3.

HIGH CAPACITY FEEDER (HCF)

The high capacity feeder consists of three paper trays together as one unit, mounted on casters. Each tray holds approximately 550 sheets, depending on paper weight, increasing the total printer capacity to about 2200 sheets. This high capacity feeder can be combined with *one* additional paper tray to give a maximum printer capacity of 2750 sheets.

NOTE

The high capacity feeder *cannot* be used with more than one additional paper trays.

Installing the high capacity feeder

1. Switch off the printer and disconnect the power cable and printer interface cable.

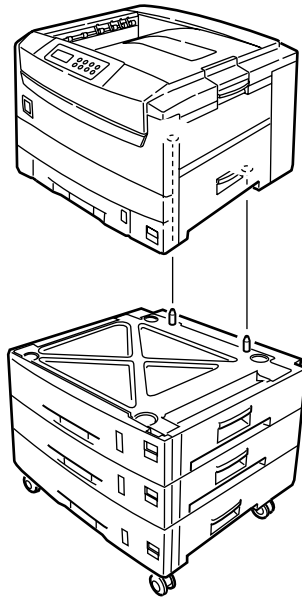
WARNING!

The printer weighs 160 lbs. (72 kg) without the duplex unit; 172 lbs. (78 kg) with the duplex unit installed (dxn models). Three (3) people are required to lift the printer safely.

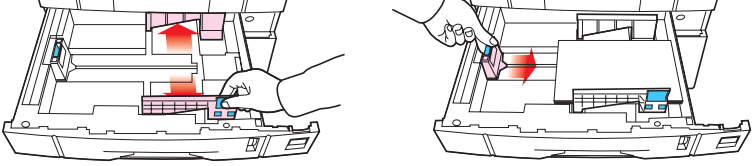
NOTE

If installing the high capacity feeder and one additional paper tray, put the high capacity feeder and additional paper tray together as one unit first, then install the printer on top.

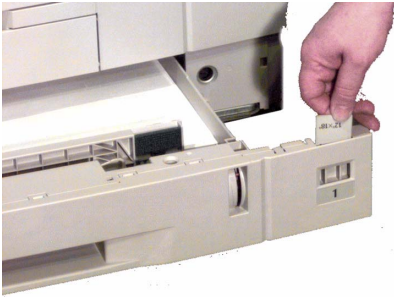
2. Lower the printer gently on to the high capacity feeder aligning the holes and connection socket on the base of the printer with the pins and connector plug on the high capacity feeder.



3. Load paper in each tray, using the same procedure you use for loading paper in Tray 1.



4. Fold the tray media size identifier sheets supplied with the High Capacity Feeder to expose the appropriate media size, then insert them in the holder at the right end of each tray.



5. Place the appropriate self-adhesive tray number identifier labels supplied with the High Capacity Feeder on the lower rectangle at the right side of each tray.



6. Connect the printer interface cable and power cable, then switch on the printer.
7. Print a MenuMap (see “Printing the MenuMap” on page 38) and check that the newly added trays (Tray2, 3 and 4 if only the HCF is installed, or Tray3, 4, and 5 if the optional tray is also installed) appear under the MEDIA MENU.

NOTE

To engage the printer's Automatic Tray Switching feature:

- Press the **MENU** button until the **PRINT MENU** is displayed and press the **SELECT** button.
- Press the **ITEM** button until **AUTO TRAY SWITCH** is displayed.
- Press the **VALUE** button to change the setting to **ON**, then press **SELECT**.
- Press **ONLINE** to place the printer back online.

FINISHER

The Finisher allows you to staple, punch and offset the printed documents emerging from your printer.

The accessories available are:

- Finisher with 2 hole punching
- Finisher with 4 hole punching
- Finisher Interface Kit
- Finisher Stand

For full details, refer to the Finisher User's Guide.

Specifications

Print method	LED exposed light source electronic photographic memory
Resolution	ES 3037 - 600x1200 dpi ES 3037e - 1200x1200 dpi
Colors	Cyan, magenta, yellow, black (CMYK)
Processor speed	ES 3037: 450 MHz, ES 3037e: 600 MHz
Memory	ES 3037 - 128 MB standard Extra memory may be required with Duplex unit ES 3037e - 320 MB standard Up to 1 Gb max with optional memory modules
HDD	Capacity - 10 MB
Emulations	PostScript3, PCL5c Epson FX and IBM ProPrinter dot matrix emulations
Operating platforms	Windows XP, 2000, Me, 98, 95, NT 4.0 MacOS 8.6 - 9.x, Mac OS X (10.1 and above), Classic
Internal fonts	PostScript 3, PCL5c fonts
Time to Print Start	First print time: 10 secs (black) First print time: 11.5 secs (color) Warm up time: 160 secs

Parallel Interface

Designation: IEEE-1284

Connection: 36-pin, IEEE 1284-compliant

Required cable: Standard bi-directional IEEE-1284 compatible cable of up to 6 ft. (1.8 meters). Must comply with FCC regulations, must be shielded with twisted pair conductors, and must be UL and CSA approved.

Transmission modes: Compatible, Nibble, ECP

Interface level: low = +0.0 to 0.8V, high = +2.4 to 5.0V

Universal Serial Bus (USB) interface

Designation: USB specification Version 1.1

Connection: USB Type B

Required cable: Shielded, USB specification Version 1.1

Transmission mode: Full speed

(12 Mbps + 25% maximum)

Power control: self powered device

Network

100BASE-TX/10BASE-T (option)

Print speed in pages per minute (ppm)^a

Color: letter = 30 ppm, tabloid = 16 ppm

Monochrome: letter = 37 ppm, tabloid = 20 ppm

Transparencies, color: letter = 10 ppm

Paper feed^b

Paper tray, manual feed, optional additional paper tray(s), optional high capacity feeder

Media size - Trays 1 thru 5

Letter, Legal-14, Legal-13.5, Legal-13

Tabloid, Tabloid Extra, Executive

A3, A3 Nobi, A3 Wide, A4, A5, B4, B5

A6 (Tray 1 only)

^a **Print speed varies with paper size, media weight and paper feed.**

^b **Exit method is limited by paper size, media weight and paper feed.**

Media size - MP tray	Letter, Legal-14, Legal-13.5, Legal-13, Tabloid, Tabloid Extra, Executive A3, A3 Nobi, A3 Wide, A4, A5, B4, B5, A6 Envelopes: C5, DL, C4, Com-9, Com-10, Monarch Custom (up to 1200mm length)
Paper capacity	Tray 1 <ul style="list-style-type: none"> • 530 sheets 20-lb. US Bond paper • 250 transparencies Optional Trays 2 and 3 <ul style="list-style-type: none"> • 530 sheets 20-lb. US Bond paper Optional High Capacity Feeder <ul style="list-style-type: none"> • Three trays, each 530 sheets 20-lb. US Bond paper Multi-Purpose tray <ul style="list-style-type: none"> • 100 sheets 20-lb US Bond • 50 Transparencies • 10 Envelopes • 3/8-inch (1 cm) stack of labels
Media weight	<i>Trays 1 to 5:</i> 17 to 54 lb. US Bond (64 to 203 g/m ²) <i>Multi-purpose tray:</i> 17 to 54 lb. US Bond—up to 113 lb. Index—(64 to 203 g/m ²) <i>Duplex unit:</i> 20 to 28-lb. US Bond (75 to 105 g/m ²)
Paper exit capacity	500 sheets top (face down) exit (see Note) 100 sheets straight-through (face up) exit
Print margin	¼-inch (6.4 mm) minimum outside the print margin
Print accuracy	<i>Start:</i> ±2 m <i>Paper skew:</i> ±1 mm per 100 mm <i>Image expansion/compression:</i> ±1 mm per 100 mm
Startup time	Less than 3 min. from powering up (25°C)

Power supply	120 (115-127) volts AC, 60 Hz ± 2 Hz OR 230 (198-264) volts AC, 50 Hz ± 2 Hz
Power consumption	Operating: 1600 W max.; 800 W average Standby: 1300 W max.; 250 W average
Operating environment	<p><i>Operating:</i></p> <ul style="list-style-type: none"> • 50 to 90°F (10 to 32 °C) • 20 to 80% RH <p>maximum wet bulb temperature 77°C (25°C)</p> <p><i>For maximum print quality</i></p> <ul style="list-style-type: none"> • 62.6 to 80.6°F (17 to 27 °C) • 50 to 70% RH <p><i>Off</i></p> <ul style="list-style-type: none"> • 32 to 110°F (0 to 43 °C) • 10 to 90% RH <p><i>Storage</i></p> <ul style="list-style-type: none"> • -14 to 110°F (-10 to 43°C) • 10 to 90 RH
Duty cycle	<p><i>Average:</i> 16,600 sheets per month</p> <p><i>Maximum:</i> 83,000 sheets per month</p>
Noise level	<p><i>Operating:</i> 55 dBA</p> <p><i>Standby:</i> 45 dBA</p> <p><i>Power save:</i> 43 dBA</p>
Product life	5 years or 1,000,000 sheets
Dimensions	<p><i>Width:</i> 26.2 inches (666 mm)</p> <p><i>Depth:</i> 24.6 inches (626 mm)</p> <p><i>Height:</i> 18.1 inches (460 mm)</p>
Weight	160 lbs. (72 kg) not including optional accessories and paper

Consumables

TONER

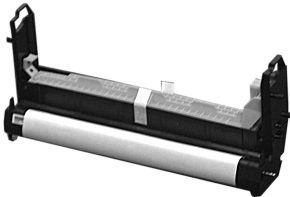
TYPE C5



Description	Order No.
Black Toner.....	52114901
Cyan Toner	52114902
Magenta Toner	52114903
Yellow Toner.....	52114904

DRUMS

TYPE C5,



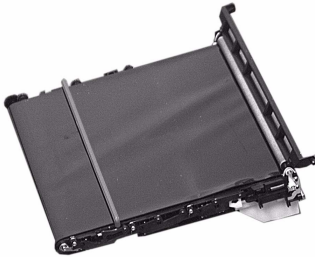
Description	Order No.
Black Image Drum	56117901
Cyan Image Drum.....	56117902
Magenta Image Drum	56117903
Yellow Image Drum	56117904

FUSER UNITS



Description	Order No.
Fuser Unit, 120V	41946101
Fuser Unit, 230V	41946103

TRANSFER BELT



Description	Order No.
Transfer belt.....	41946001

OKI® PRINT MEDIA

OKI Banner Paper



White, 70-lb. Index, 35.4" x 12.9". 100 sheets..... **Order No. 52206001**

OKI SynFlex™: Waterproof and Tear proof



White, 8½ x 11". 100 sheets..... **Order No. 52205901**

OKI Bright White Proofing Paper

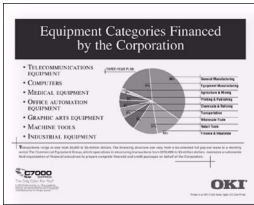
32-lb. US Bond, 8½ x 11". 500 sheets..... **Order No. 52206101**
32-lb. US Bond, 11 x 17". 500 sheets..... **52206102**
32-lb. US Bond, 12 x 18". 500 sheets..... **52206103**

OKI® PRINT MEDIA (CONTINUED)

OKI Premium Card Stock

	Order No.
White, 60 lb. Cover, 8½ x 11". 250 sheets.....	52205601
White, 90 lb. Index, 8½ x 11". 250 sheets.....	52205602
White, 110 lb. Index, 8½ x 11". 250 sheets.....	52205603

OKI Premium Color Transparencies



	Order No.
8½ x 11". 50 sheets	52205701

OKI Premium Envelopes: Security Tint, Redi-Strip Seal



	Order No.
White, COM-10. Box 100	52206301
White, COM-10. Box 500	52206302

Factory Default Settings

PRINT MENU

Item	Factory default setting
COPIES	1
DUPLEX	OFF
BINDING	LONG EDGE
OUTPUT BIN	FACE DOWN
JOB OFFSET	ON
PAPER FEED	TRAY1
AUTO TRAY SWITCH	ON
TRAY SEQUENCE	DOWN
MP TRAY USAGE	FEED WHEN MISMATCHING
MEDIA CHECK	ENABLE
TRANSPARENCY DETECT	AUTO
RESOLUTION	
ES 3037	600 X 1299 DPI
ES 3037e	1200 DPI
TONER SAVE MODE	OFF
MONO-PRINT SPEED	AUTO
ORIENTATION	PORTRAIT
LINE PER PAGE	60
EDIT SIZE	CASSETTE SIZE

MEDIA MENU

Item	Factory default setting
TRAY1 MEDIATYPE	PLAIN
TRAY1 MEDIAWEIGHT	AUTO
TRAY2 MEDIATYPE	PLAIN
TRAY2 MEEDIAWEIGHT	AUTO
TRAY3 MEDIATYPE	PLAIN
TRAY3 MEDIAWEIGHT	AUTO
TRAY4 MEDIATYPE	PLAIN
TRAY4 MEDIAWEIGHT	AUTO
TRAY5 MEDIATYPE	PLAIN
TRAY5 MEDIAWEIGHT	AUTO
MP TRAY MEDIASIZE	LETTER LONG EDGE
MP TRAY MEDIATYPE	PLAIN
MP TRAY MEDIAWEIGHT	AUTO
UNIT OF MEASURE	INCHES
X DIMENSION	8.5 INCHES
Y DIMENSION	11 INCHES

COLOR MENU

Item	Factory default setting
AUTO DENSITY MODE	AUTO
ADJUST DENSITY	[EXECUTE]
COLOR TUNING	[PRINT PATTERN]
CYAN HIGH-LIGHT	0
CYAN MID-TONE	0
CAN DARK	0
MAGENTA HIGH-LIGHT	0
MAGENTA MID-TONE	0
MAGENTA DARK	0
YELLOW HIGH-LIGHT	0
YELLOW MID-TONE	0
YELLOW DARK	0
BLACK HIGH-LIGHT	0
BLACK MID-TONE	0
BLACK DARK	0
CYAN DARKNESS	0
MAGENTA DARKNESS	0
YELLOW DARKNESS	0
BLACK DARKNESS	0
ADJUST REGISTRATION	[EXECUTE]
CYAN REG FINE ADJUST	0
MAGENTA REG FINE ADJUST	0
YELLOW REG FINE ADJUST	0
INK SIMULATION	OFF
UCR	LOW
CMY100% density	DISABLE

SYSTEM CONFIG MENU

Item	Factory default setting
POWER SAVE DELAY TIME	60 MIN
PERSONALITY	AUTO EMULATION
USB PS-PROTOCOL	RAW
NETWORK PS PROTOCOL	RAW
CLEARABLE WARNING	ON
AUTO CONTINUE	OFF
MANUAL TIMEOUT	60 SEC.
WAIT TIMEOUT	40 SEC.
LOW TONER	CONTINUE
JAM RECOVERY	ON
ERROR REPORT	OFF
LANGUAGE	ENGLISH

PCL EMULATION MENU

Item	Factory default setting
FONT SOURCE	RESIDENT
FONT No.	I000
FONT PITCH	10.00 CPI
FONT HEIGHT	12.00 POINT
SYMBOL SET	PC-8
A4 PRINT WIDTH	78 COLUMN
WHITE PAGE SKIP	OFF
CR FUNCTUION	CR
LF FUNCTION	LF
PRINT MARGIN	NORMAL
TRUE BLACK	OFF
PEN WIDTH ADJUST	ON

PPR EMULATION MENU

Item	Factory default setting
CHARACTER PITCH	10 CPI
FONT CONDENSE	10 CPI to 12 CPI
CHARACTER SET	SET 2
SYMBOL SET	IBM-437
LETTER O STYLE	DISABLE
ZERO CHARACTER	NORMAL
LINE PITCH	6 LPI
WHITE PAGE SKIP	OFF
CR FUNCTUION	CR
LF FUNCTION	LF
LINE LENGTH	80 COLUMN
FORM LENGTH	11 INCH
TOF POSITION	0.0 INCH
LEFT MARGIN	0.0INCH
FIT TO LETTER	ENABLE
TEXT HEIGHT	SAME
CONT PAPER MODE	OFF

FX EMULATION MENU

Item	Factory default setting
CHARACTER PITCH	10 CPI
CHARACTER SET	IBM-457
SYMBOL SET	PC - 8
LETTER 0 STYLE	DISABLE
ZERO CHARACTER	NORMAL
LINE PITCH	6 LPI
WHITE PAGE SKIP	OFF
CR FUNCTUION	CR
LINE LENGTH	80 COLUMN
FORM LENGTH	11 INCH
TOF POSITION	0.0 INCH
LEFT MARGIN	0.0 INCH
FIT TO LETTER	ENABLE
TEXT HEIGHT	SAME
CONT PAPER MODE	OFF

PARALLEL MENU

Item	Factory default setting
PARALLEL	enable
BI-DIRECTION	enable
ECP	enable
ACK WIDTH	narrow
ACK/BUSY TIMING	ack-in-busy
I-PRIME	disable
OFFLINE RECEIVE	DISABLE

USB MENU

Item	Factory default setting
USB	Enable
SOFT RESET	disable
OFFLINE RECEIVE	DISABLE

NETWORK MENU

Item	Factory default setting
TCP/IP	ENABLE
NETWARE	ENABLE
ETHERTALK	ENABLE
NETBEUI	ENABLE
FRAME TYPE	AUTO
DHCP/BOOTP	ENABLE
RARP	DISABLE
IP ADDRESS	0.0.0.0
SUBNET MASK	0.0.0.0
GATEWAY ADDRESS	0.0.0.0
PRINT SETTINGS	OFF
INITIALIZE	OFF

MEMORY MENU

Item	Factory default setting
RECEIVE BUFF SIZE	AUTO
RESOURCE SAVE	OFF
FLASH INITIALIZE	[EXECUTE]
PS FLASH RESIZE	0.5Mb

SYSTEM ADJUST MENU

Item	Factory default setting
X ADJUST	0.0 mm
Y ADJUST	0.0 mm
DUPLEX X ADJUST	0.0 mm
DUPLEX Y ADJUST	0.0 mm
TRAY1 A3 Nobli PAPER	TABLOID EXTRA
TRAY1 LEGAL14 PAPER	LEGAL 14
TRAY2 A3 Nobli PAPER	TABLOID EXTRA
TRAY2 LEGAL14 PAPER	LEGAL 14
TRAY3 A3 Nobli PAPER	TABLOID EXTRA
TRAY3 LEGAL14 PAPER	LEGAL 14
TRAY4 A3 Nobli PAPER	TABLOID EXTRA
TRAY4 LEGAL14 PAPER	LEGAL 14
TRAY5 A3 Nobli PAPER	TABLOID EXTRA
TRAY5 LEGAL14 PAPER	LEGAL 14
PCL TRAY2 ID#	5
PCL TRAY3 ID#	20
PCL TRAY4 ID#	21
PCL TRAY5 ID#	22
PCL MP TRAY ID#	4
DRUM CLEQNING	OFF
HEX DUMP	[EXECUTE]

MAINTENANCE MENU

Item	Factory default setting
EEPROM RESET	[EXECUTE]
SAVE MENU	[EXECUTE]
RESTORE MENU	[EXECUTE]
POWER SAVE	ENABLE
PAPER BLACK SETTING	0
PAPER COLOR SETTING	0
TRANSPR BLACK SETTING	0
TRANSPR COLOR SETTING	0

USAGE MENU

Displays printer page counts and data for printer consumables.

Index

A

- Additional memory 219
- Additional paper trays 229

C

- Components 17
- Connection
 - Power cable 32
- Control panel 34

D

- Disk Maintenance 66
- Display language 37
- Duplex unit 226

E

- Envelope types 42
- Error messages 198

F

- Fuser unit 192

H

- Hard disk 223
- High capacity feeder 233

I

- Image drum 186
- Information Menu 47

L

- LED head 195
- Location 16

M

- Mac OS 8.6-9.2.2
 - adjusting driver options 83

- color option 97
- job accounting 111
- job option 106
- job type 111
- oki driver options 97
- operation 90
- printer drivers 83
- Utilities 153
 - color swatch utility 169
 - fonts downloader 168
 - install 156
 - okinet utility for ethertalk 172
 - profile downloader 168
 - storage device manager 158

Macintosh OS 10.1.5

- Operation 126
 - general printing directions 149
 - monitor color profile select 128
 - oki driver options 135
- printer drivers 125
- Utility
 - profile downloader 177

Maintenance

- Cleaning LED head 195
- Fuser unit 192
- Image drum 186
- Toner cartridge 180
- Transfer belt 190

Maintenance Menu 71

- Manual feed 31
- Media Menu 49
- Menu settings 38

N

- Network Menu 65

O

Options

- Additional memory 219
- Additional paper trays 229
- CCS Copier Unit 237
- Duplex unit 226
- High capacity feeder 233
- Internal hard disk 223

P

Paper

- Feed 39
 - Manual feed 31
 - Sizes 40
 - Types 42
- Paper jams 201

Parallel Menu 65

Power cable 32

Print Jobs Menu 47

Print Menu 49

Printer 83

- Changing display language 37

Components 17

Control panel 34

Location 16

Menu settings 38

Unpacking 14

Printer settings

Confirming 46

List of settings 47

Printing menu list 46

Protective sheet removal 20

S

Setting up

Power cable 32

Protective sheet removal 20

Toner cartridge installation 23

Status messages 198

System Adjust Menu 69

System Config. Menu 56

T

Toner cartridge 180

Toner cartridge installation 23, 180

Transfer belt 190

Transporting 196

Troubleshooting

Miscellaneous problems 215

Paper jams 201

U

Unpacking 14

Usage Menu 71